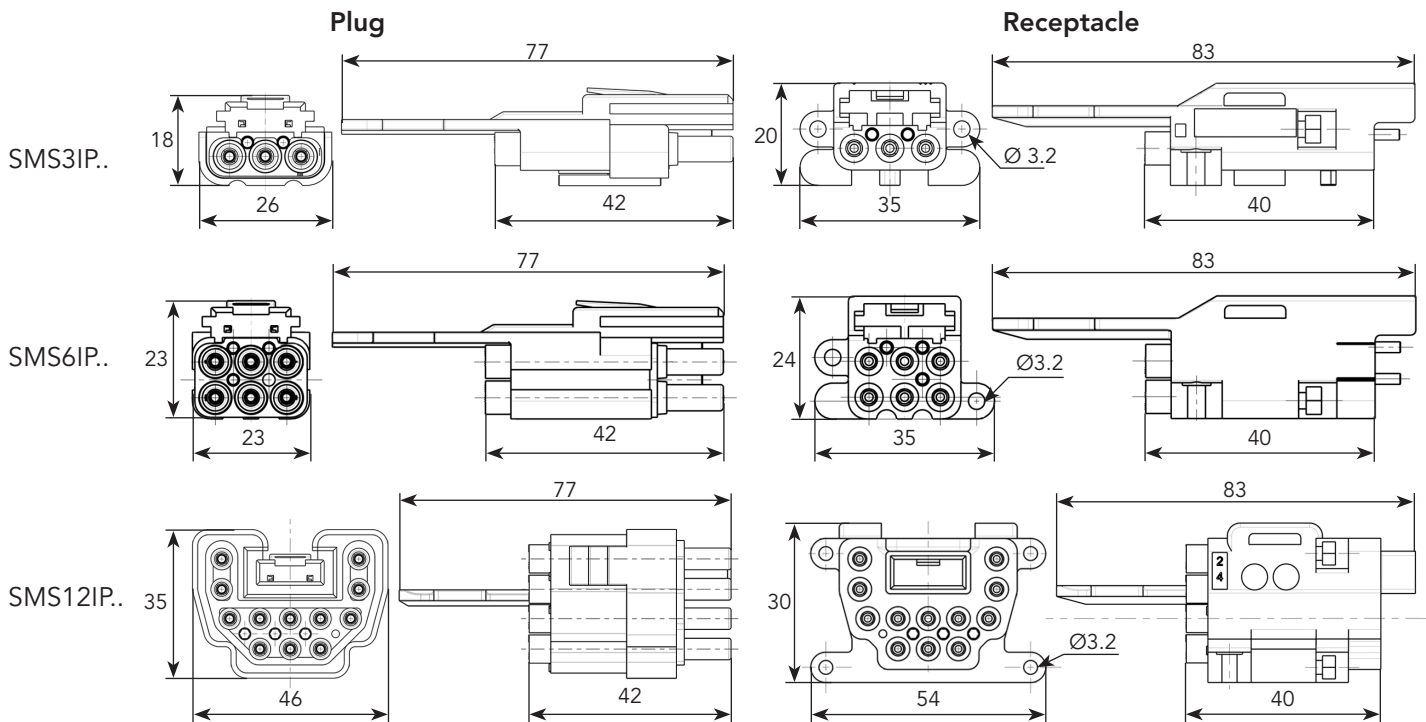


Dimensions & weight



Part number - Plug		Layout	Weight * ±0.2 g.
Without contact	With contacts ⁽¹⁾		
SMS3PIP20	SMS3PIP20K01 SMS3PIP20K02	3	13.3 g
SMS3PIP67	SMS3PIP67K01 SMS3PIP67K02		16.1 g
SMS6PIP20	SMS6PIP20K01 SMS6PIP20K02	6	16.3 g
SMS6PIP67	SMS6PIP67K01 SMS6PIP67K02		18.3 g
SMS12PIP20	SMS12PIP20K01 SMS12PIP20K02	12	40 g
SMS12PIP67	SMS12PIP67K01 SMS12PIP67K02		45 g

Part number - Receptacle			Layout	Weight * ±0.2 g.
Without contact	With contacts ⁽¹⁾			
SMS3RIP20	SMS3RIP20K01	SMS3RIP20K02	3	16.4 g
SMS3RIP67	SMS3RIP67K01	SMS3RIP67K02		17.4 g
SMS6RIP20	SMS6RIP20K01	SMS6RIP20K02	6	20.3 g
SMS6RIP67	SMS6RIP67K01	SMS6RIP67K02		22.3 g
SMS12RIP20	SMS12RIP20K01	SMS12RIP20K02	12	48 g
SMS12RIP67	SMS12RIP67K01	SMS12RIP67K02		53 g

* weight of the connector without contact 1: see page 2 «Ordering information» Matrix

Panel cut out

	A	B	C	D	E	F	Ø G
SMS3RIP..	28.2	18.3	23.3	12.5	9.6	9.6	3.2
SMS6RIP..	28.2	25.1	23.3	12.5	8.5	4	3.2
SMS12RIP..	47.4	31.4	42.5	12.5	26.3	4	3.2

