

RC14M30K *	6	FEMALE CONTACT DIAMETER 1.6 FOR CABLE 2.50 mm ²
RC16M23K *	6	FEMALE CONTACT DIAMETER 1.6 FOR CABLE 0.5 A 1.50 mm ²
N/A	5	FOOLPROOF DEVICE (1 pawl min)
N/A	4	LOCKER
N/A	3	INTERFACE SEAL
N/A	2	INDIVIDUAL GROMMET**
N/A	1	PLUG BODY
REFERENCE	REPERE	DESIGNATION

MATERIAL:

- Plug : Thermoplastic
- Interface seal : Silicone
- Individual grommet : Silicone (only on sealed versions)
- Locker : Stainless steel
- Foolproof device : thermoplastic.

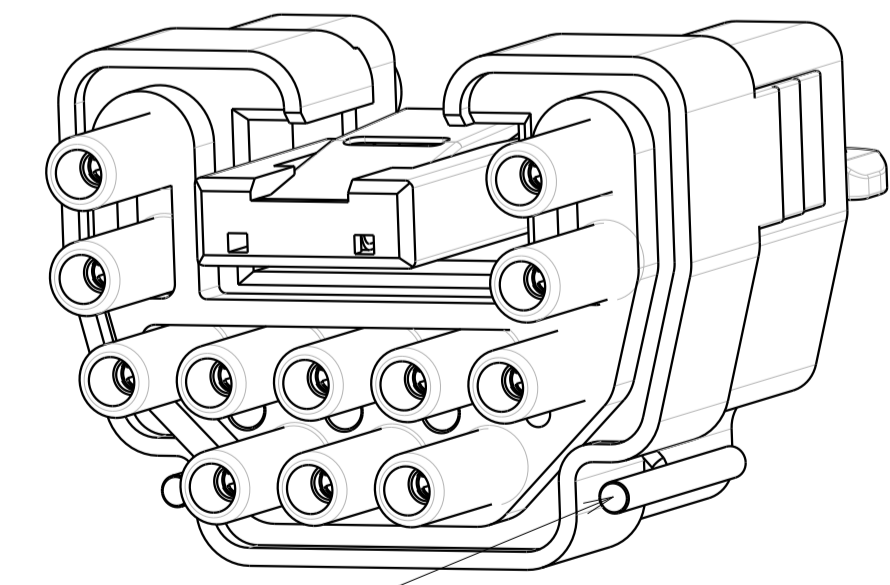
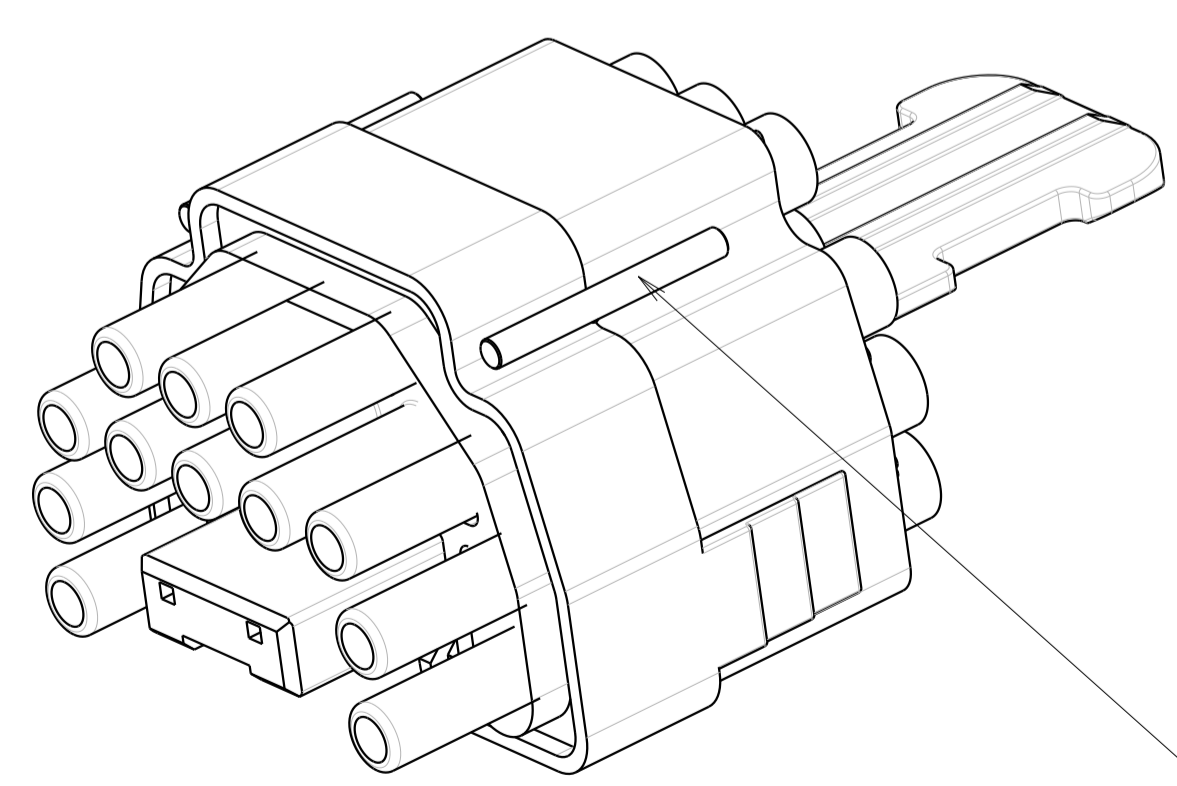
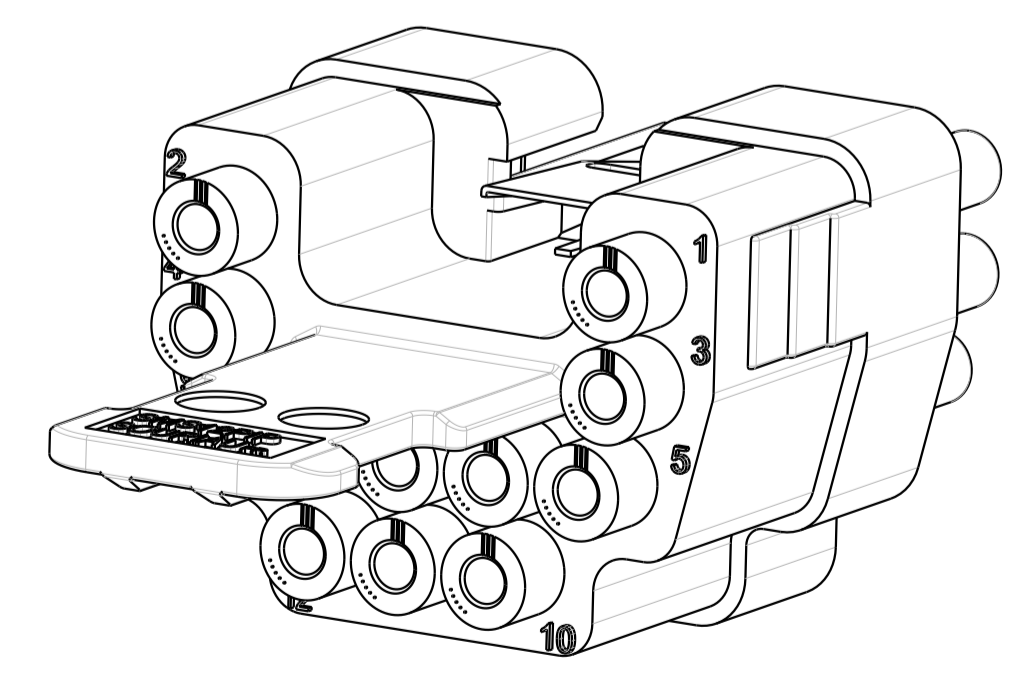
CHARACTERISTICS:

- Cables eligibles : Ø max of shaft 3.8mm, Ø min of shaft 1.15mm
- Diameter of male contact : Ø 1.6mm
- Contact resistance : 3250V AC
- Eligible current : 15A max.
- Insulation strenght : > 5000M_Ω
- Temperature of use : -50°C/+100°C
- Degrees of protection : IP 67 only for sealed versions.
- Corrosion resistance : 500H salt fog, Coupling connector.
- Number of keying : 3+1 universal position
- Number of cycles : 500 cycles.

For all assembly information, see Technical Bulletin : BT 267.

* contacts soldered separately

**Connector Reference : Sealed Version : SMS12PIP67, No sealed Version : SMS12PIP20



P/N : SMS12PIP**

d	21/05/14	Add Help for cavities and translate drawing in english	23552
ISS	DATE	Latest modification - by: BERTHOME A.	MOD N°
Designed by:	R. CHABIRAND	Date: 31/01/12	CUSTOMER DRAWING
TITLE	RECTANGULAR PLUG SMS IP 12 PTS SMSIP		
Scale	2/1	General linear Tolerances: ± 0.2	NPRDS / PROJECT REC1
FORMAT	SOURIAU DRG N° REC1-0005A-C		SHEET 1 / 1