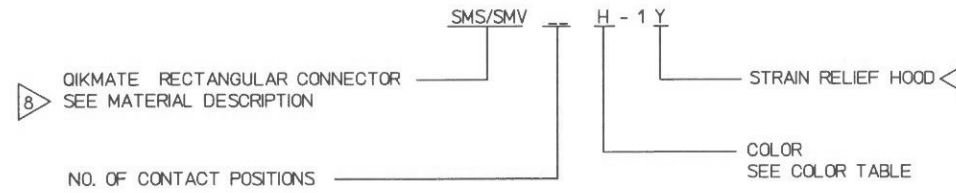


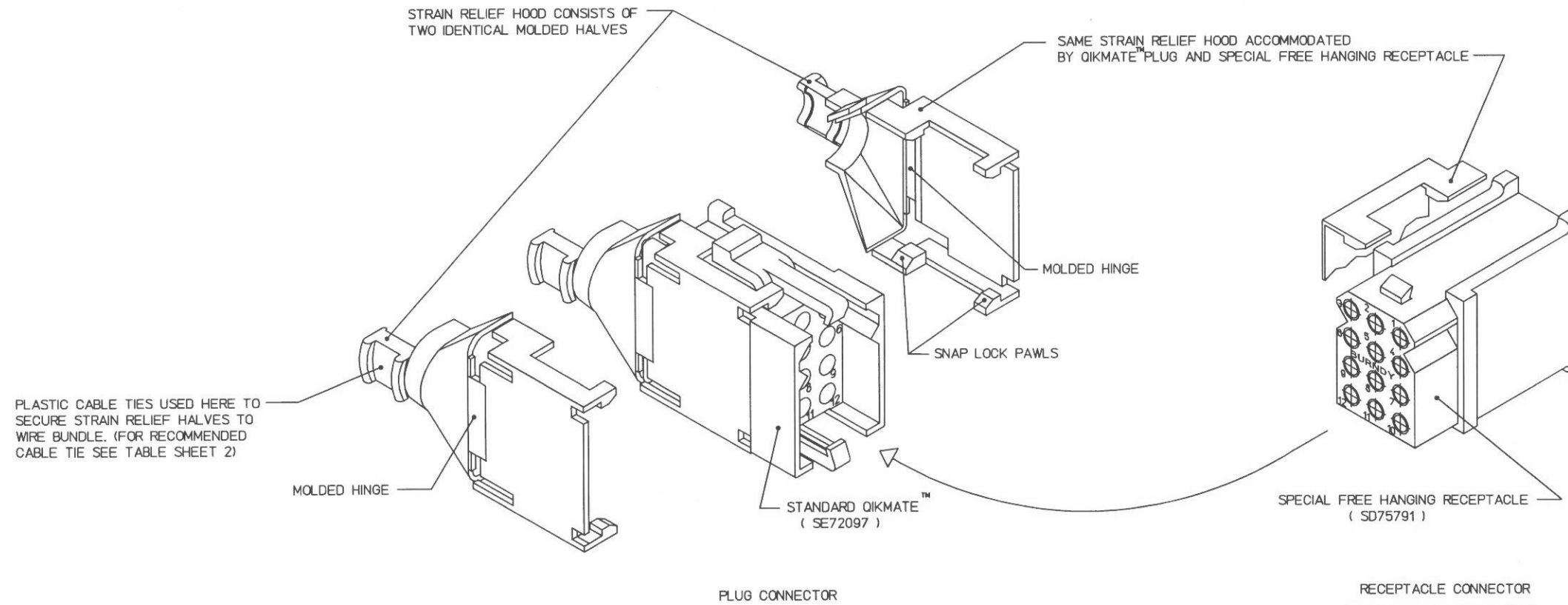
NOTES: UNLESS OTHERWISE SPECIFIED.

- 1 INTERPERT THIS DRAWING IN ACCORDANCE WITH ANSI Y14.5M 1982.
- 2 CATALOG NUMBER CONSISTS OF COMPLETE STRAIN RELIEF HOOD ( 2 HALVES).
- 3 QIKMATE™ STRAIN RELIEF HOOD MAY BE INSTALLED BEFORE OR AFTER WIRING. HOODS ARE REMOVABLE AND REPLACEABLE WITHOUT DISTURBING WIRES.
- 4 MOLDED HINGE ALLOWS HOOD TO BE OPENED FOR CONTACT INSERTION OR REMOVAL WITHOUT REMOVING HOOD FROM CONNECTOR.
- 5 SMV\_\_H-1 HOODS AVAILABLE IN NATURAL (WHITE) ONLY.
- 6 HOODS ARE CSA CERTIFIED FILE 39151 .
- 7 CONNECTOR IS UL COMPONENT RECOGNIZED FILE E31151 GUIDE NO. RTRT-2.
- 8 MATERIAL: SMS\_\_H-1 NYLON-PER MIL-M-20693A,UL94V-2 (COLOR SEE COLOR TABLE).  
SMV\_\_H-1 NYLON UL94V-0,COLOR - NATURAL (WHITE).

2 HOOD CATALOG NUMBER



| COLOR TABLE     |               |       |
|-----------------|---------------|-------|
| COLOR           | SUFFIX LETTER |       |
|                 | SMS__         | SMV__ |
| NATURAL (WHITE) | A             | BLANK |
| BLACK           | BLANK         | 5     |
| BLUE            | B             |       |
| GREEN           | G             |       |
| RED             | R             |       |
| YELLOW          | Y             |       |



SUPERSEDES SD75800 REV 6

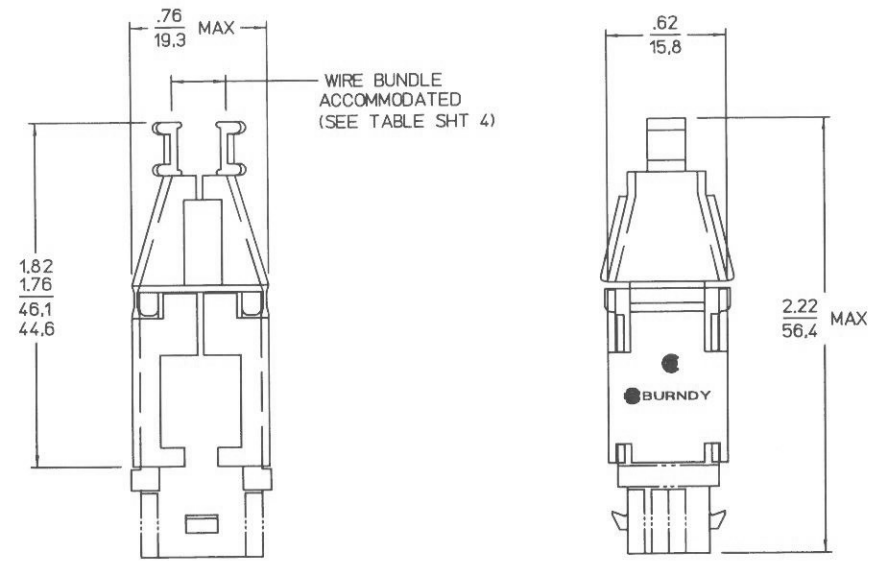
REFERENCE SE72097 SMS\_\_P/R-1  
SD75791 SMS\_\_R-10

|     |   |     |      |          |
|-----|---|-----|------|----------|
| 7   | REDRAWN ON CAD TO E SIZE WITH NO CHANGE (ECN 3129 ) | RPS | PEP  | 10-20-94 |
| REV | REVISION DESCRIPTION                                | BY  | CHKD | DATE     |

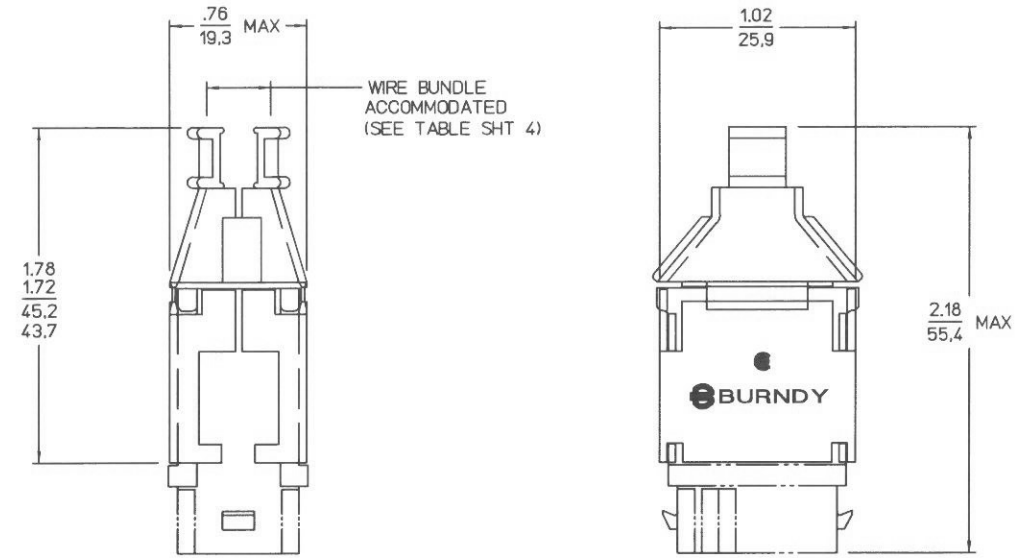
|  |  |  |  |     |
|--|--|--|--|-----|
| QIKMATE™ STRAIN RELIEF HOOD              |  |  |  |     |
| CAT NO SMS/SMV__H-1_ (SEE TABLE SHEET 4) |  |  |  |     |
| DWG RELEASED TO CENTRAL FILE 10-28-94    |  |  |  |     |
| CAGE NO 09922   ECN 3129   PC 732        |  |  |  |     |
| © BURNDY CORPORATION 1993                |  |  |  |     |
| DRAWING SCALE 2:1                        |  |  |  |     |
| DRAWING NO                               |  |  |  | REV |
| SE75800                                  |  |  |  | 7   |
| SHEET 1 OF 5                             |  |  |  |     |

|                                |               |           |
|--------------------------------|---------------|-----------|
| LINEAR MEASURE:                | INCH          | INCH (mm) |
|                                | mm            |           |
| THIRD ANGLE PROJECTION         |               |           |
| - TOLERANCES -                 |               |           |
| UNLESS OTHERWISE SPECIFIED     |               |           |
| NO OF DECIMAL PLACES IN INCHES | INCH (mm)     |           |
| ONE PLACE                      | ±.1 (±3)      |           |
| TWO PLACES                     | ±.02 (±0.5)   |           |
| THREE PLACES                   | ±.005 (±0.13) |           |
| ANGLES #1°                     |               |           |

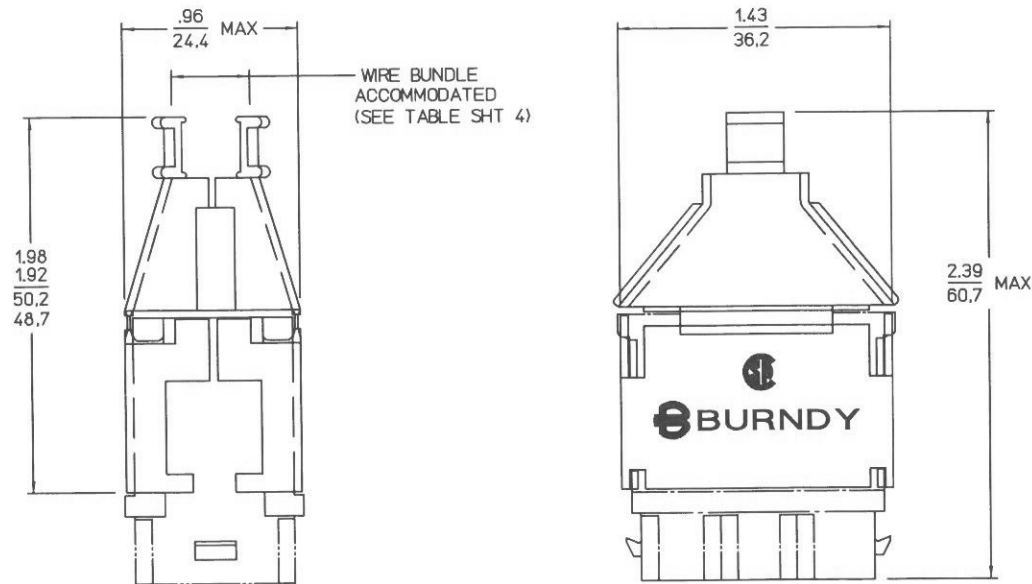




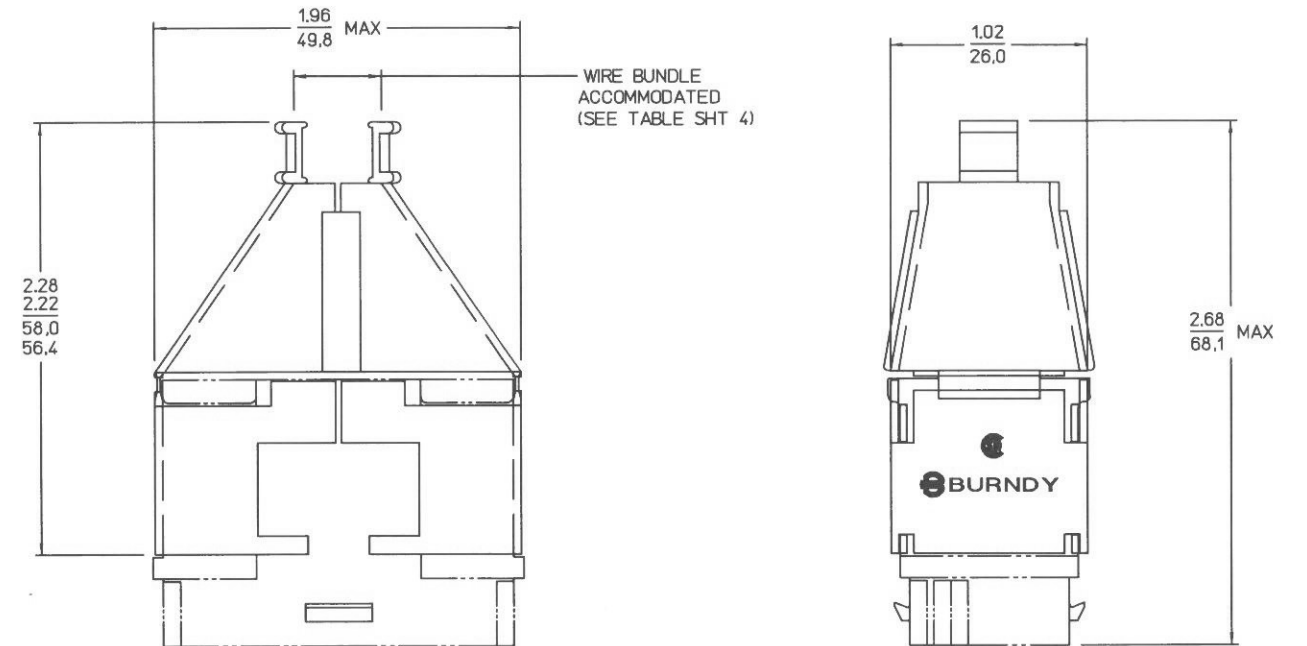
HOOD CAT. NO.  
SMS/SMV6H-1  
(ASSEMBLED TO SMS/SMV6R-10)



HOOD CAT. NO.  
SMS/SMV12H-1  
(ASSEMBLED TO SMS/SMV12R-10)



HOOD CAT. NO.  
SMS/SMV24H-1  
(ASSEMBLED TO SMS/SMV24R-10)

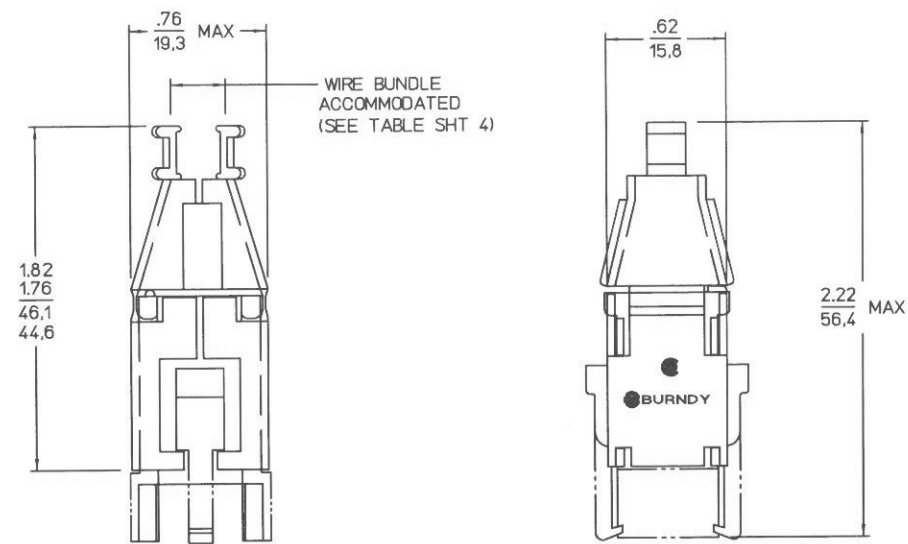


HOOD CAT. NO.  
SMS/SMV36H-1  
(ASSEMBLED TO SMS/SMV36R-10)

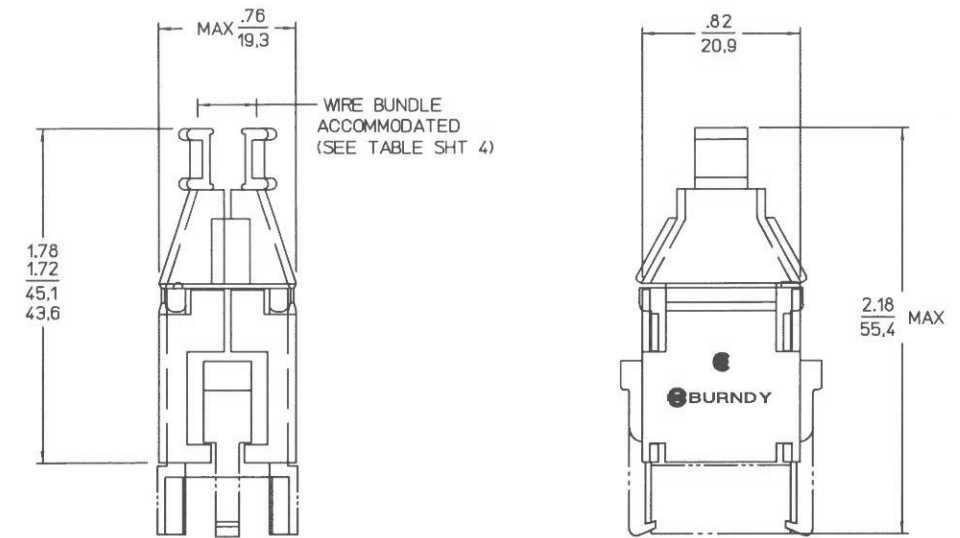
|                                |               |           |
|--------------------------------|---------------|-----------|
| LINEAR MEASURE:                | INCH          | INCH [mm] |
|                                | mm            |           |
| THIRD ANGLE PROJECTION         |               |           |
| - TOLERANCES -                 |               |           |
| UNLESS OTHERWISE SPECIFIED     |               |           |
| NO OF DECIMAL PLACES IN INCHES | INCH [mm]     |           |
| ONE PLACE                      | ±.1 [±3]      |           |
| TWO PLACES                     | ±.02 [±0.5]   |           |
| THREE PLACES                   | ±.005 [±0.13] |           |
| ANGLES ±1°                     |               |           |

|   |                      |      |           |
|---|----------------------|------|-----------|
| ALL REVS RECORDED ON SH 1               |                      |      |           |
| REV                                     | REVISION DESCRIPTION | BY   | CHKD DATE |
| QIKMATE™ STRAIN RELIEF HOOD             |                      |      |           |
| CAT NO SMS/SMV_H-1_ (SEE TABLE SHEET 1) |                      |      |           |
| DWG RELEASED TO CENTRAL FILE 10-28-94   |                      |      |           |
| CAGE NO 09922   ECN 3129   PC 732       |                      |      |           |
| © BURNDY CORPORATION 1993               |                      |      |           |
| APPROVAL                                | DRWN                 | PJB  | 05-14-73  |
|   | CHKD                 | RWO  | 06-15-73  |
|   | DSGN                 | RPS  | 06-25-73  |
|   | MKT                  | F.Z. | 06-25-73  |
|   | QC                   | SJ   | 10-27-94  |
| DRAWING SCALE 2:1                       |                      |      |           |
| DRAWING NO                              |                      | REV  |           |
| SE75800                                 |                      | 7    |           |
| SHEET 2 OF 5                            |                      |      |           |

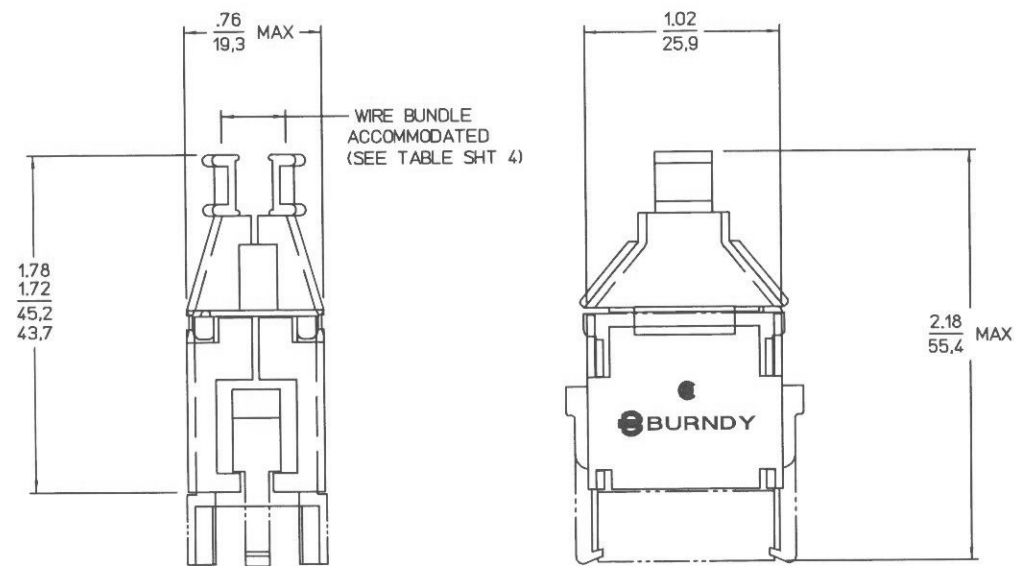




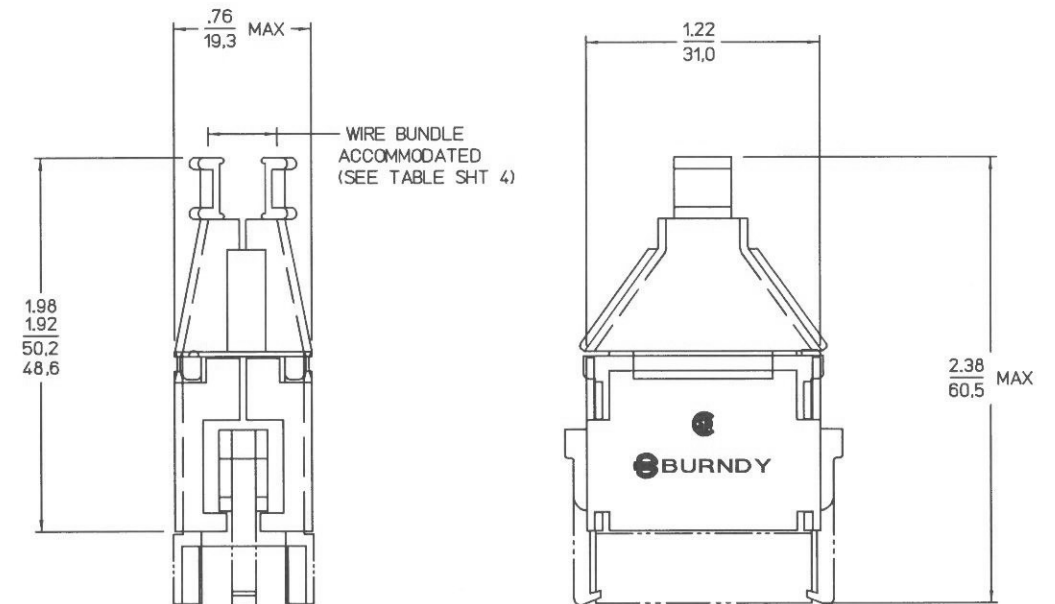
HOOD CAT. NO.  
SMS/SMV6H-1  
(ASSEMBLED TO SMS/SMV6P-1)



HOOD CAT. NO.  
SMS/SMV9H-1  
(ASSEMBLED TO SMS/SMV9P-1)



HOOD CAT. NO.  
SMS/SMV12H-1  
(ASSEMBLED TO SMS/SMV12P-1)

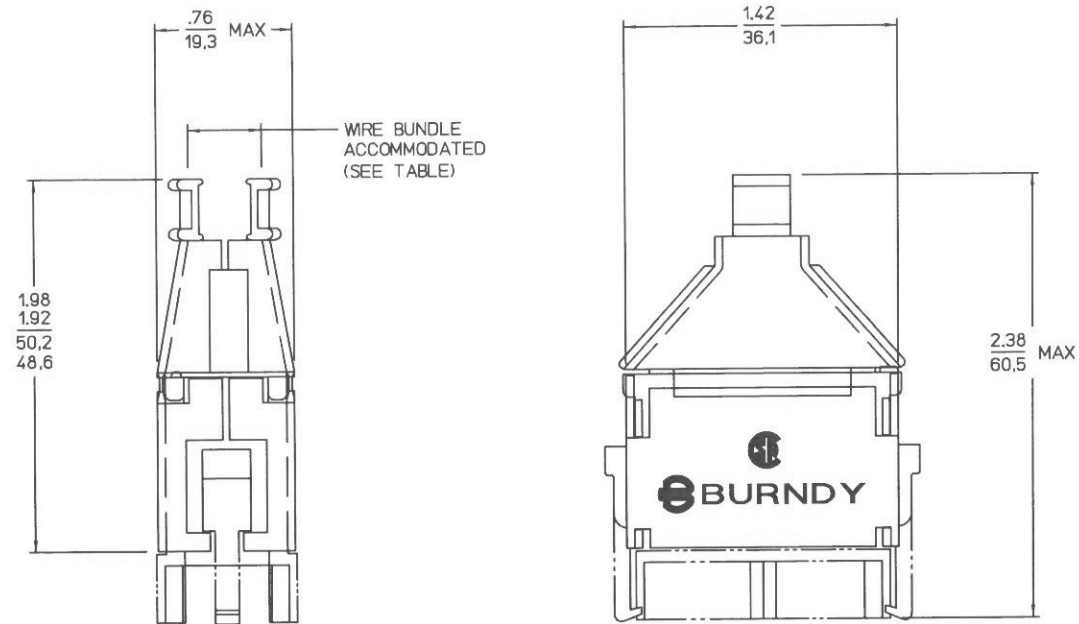


HOOD CAT. NO.  
SMS/SMV15H-1  
(ASSEMBLED TO SMS/SMV15P-1)

|  |               |           |
|--|---------------|-----------|
| LINEAR MEASURE:                              | INCH<br>mm    | INCH (mm) |
| THIRD ANGLE PROJECTION                       |               |           |
| - TOLERANCES -<br>UNLESS OTHERWISE SPECIFIED |               |           |
| NO OF DECIMAL PLACES IN INCHES               | INCH (mm)     |           |
| ONE PLACE                                    | ±.1 (±3)      |           |
| TWO PLACES                                   | ±.02 (±0.5)   |           |
| THREE PLACES                                 | ±.005 (±0.13) |           |
| ANGLES ±1°                                   |               |           |

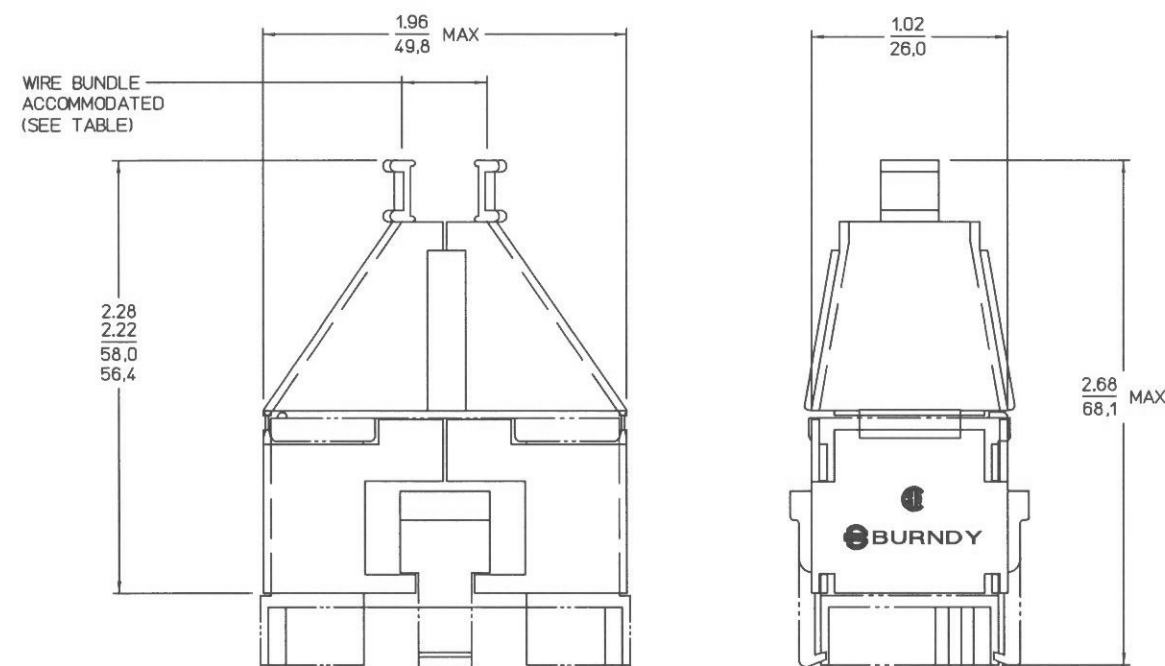
|   |                      |                   |                   |
|---|----------------------|-------------------|-------------------|
| ALL REVISIONS SEE SHEET 1               |                      |                   |                   |
| REV                                     | REVISION DESCRIPTION | BY                | CHKD DATE         |
| QIKMATE™ STRAIN RELIEF HOOD             |                      |                   |                   |
| CAT NO SMS/SMV_H-1_ (SEE TABLE SHEET 1) |                      |                   |                   |
| DWG RELEASED TO CENTRAL FILE 10-28-94   |                      | APPROVAL          | DRWN CEB 02-12-79 |
| CAGE NO 09922   ECN 3129   PC 732       |                      | APPROVAL          | CHKD SFP 03-14-79 |
| © BURNDY CORPORATION 1993               |                      | APPROVAL          | DSGN D.L. 3-22-79 |
|   |                      | APPROVAL          | MKT KL 03-22-79   |
|   |                      | APPROVAL          | QC SJ 10-27-94    |
|   |                      | DRAWING SCALE 2:1 |                   |
|   |                      | DRAWING NO        | REV               |
|   |                      | SE75800           | 7                 |
| SHEET 3 OF 5                            |                      |                   |                   |



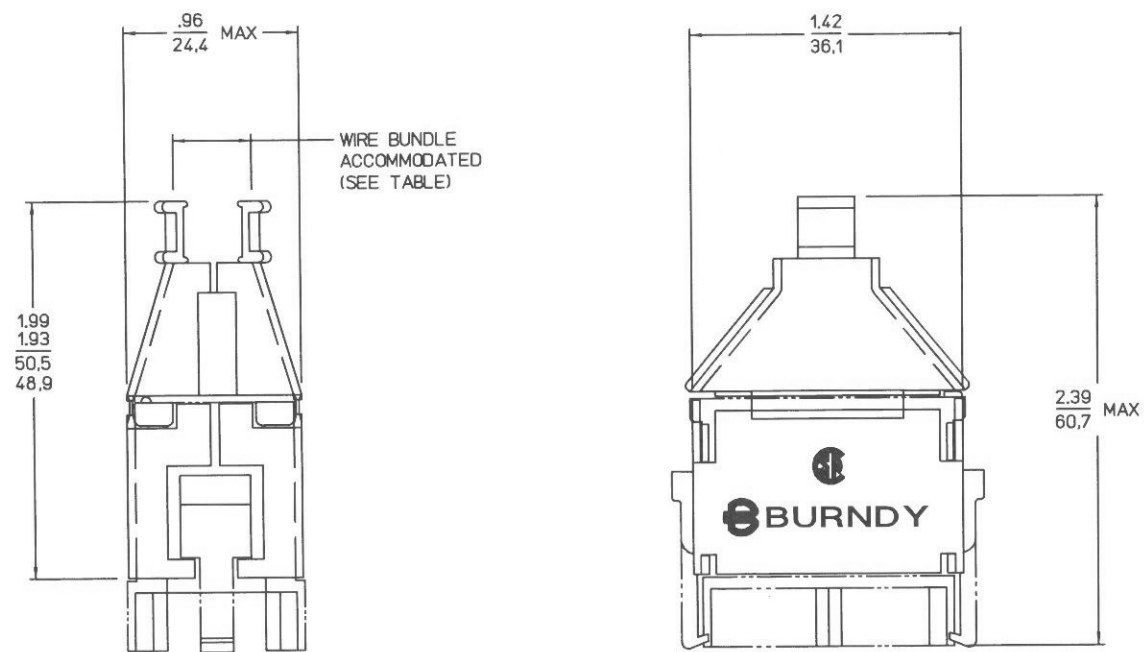


HOOD CAT. NO.  
SMS/SMV18H-1  
(ASSEMBLED TO SMS/SMV18P-1)

| CATALOG NO.  | WIRE BUNDLE ACCOMMODATED |              | BURNDY CAT. NO. | RECOMMENDED CABLE TIE |                              |
|--------------|--------------------------|--------------|-----------------|-----------------------|------------------------------|
|              | MINIMUM                  | MAXIMUM      |                 | REF. DWG.             | APPLICABLE MILITARY STANDARD |
| SMS/SMV2H-1  | .070 [1,78]              | .330 [8,38]  | TF-4            | SD65082               | MS3367-5                     |
| SMS/SMV3H-1  | .075 [1,90]              | .355 [9,02]  | TF-4            |                       |                              |
| SMS/SMV4H-1  | .084 [2,13]              | .398 [10,11] | TF-4            |                       |                              |
| SMS/SMV6H-1  | .090 [2,29]              | .325 [8,26]  | TF-4            |                       |                              |
| SMS/SMV9H-1  | .105 [2,67]              | .365 [9,28]  | TF-5            |                       | MS3367-1                     |
| SMS/SMV12H-1 | .120 [3,05]              | .400 [10,16] | TF-5            |                       |                              |
| SMS/SMV15H-1 | .135 [3,43]              | .435 [11,05] | TF-5            |                       |                              |
| SMS/SMV18H-1 | .150 [3,81]              | .465 [11,81] | TF-5            |                       |                              |
| SMS/SMV24H-1 | .180 [4,57]              | .500 [12,70] | TF-5            |                       |                              |
| SMS/SMV36H-1 | .275 [6,98]              | .625 [15,88] | TF-5            |                       |                              |



HOOD CAT. NO.  
SMS/SMV36H-1  
(ASSEMBLED TO SMS/SMV36P-1)

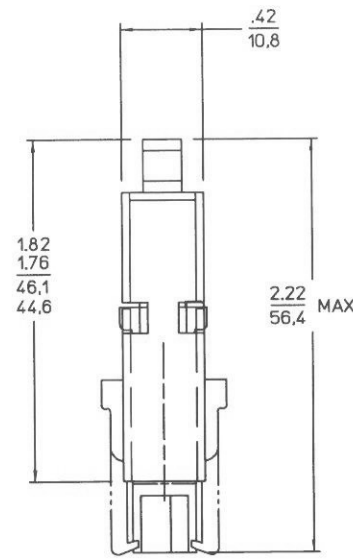


HOOD CAT. NO.  
SMS/SMV24H-1  
(ASSEMBLED TO SMS/SMV24P-1)

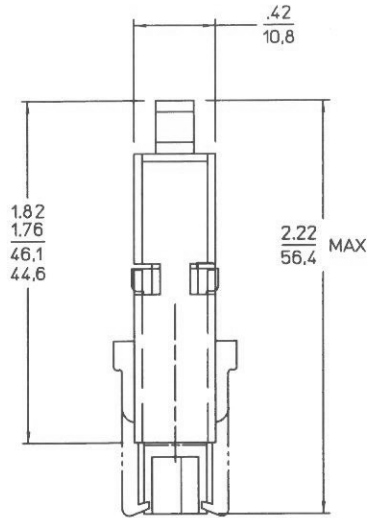
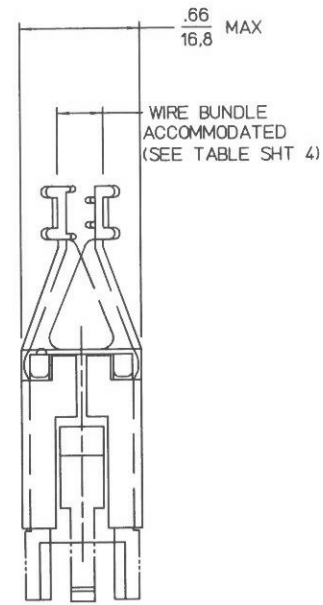
|                                |               |           |
|--------------------------------|---------------|-----------|
| LINEAR MEASURE:                | INCH          | INCH [mm] |
|                                | mm            |           |
| THIRD ANGLE PROJECTION         |               |           |
| - TOLERANCES -                 |               |           |
| UNLESS OTHERWISE SPECIFIED     |               |           |
| NO OF DECIMAL PLACES IN INCHES | INCH [mm]     |           |
| ONE PLACE                      | ±.1 [±3]      |           |
| TWO PLACES                     | ±.02 [±0,5]   |           |
| THREE PLACES                   | ±.005 [±0,13] |           |
| ANGLES ±1°                     |               |           |

|   |                      |        |                   |
|---|----------------------|--------|-------------------|
| ALL REVISIONS SEE SHEET 1               |                      |        |                   |
| REV                                     | REVISION DESCRIPTION | BY     | CHKD DATE         |
| QIKMATE™ STRAIN RELIEF HOOD             |                      |        |                   |
| CAT NO SMS/SMV_H-1_ (SEE TABLE SHEET 1) |                      |        |                   |
| DWG RELEASED TO CENTRAL FILE 10-28-94   |                      |        |                   |
| CAGE NO 09922                           | ECN 3129             | PC 732 | DRWN CEB 02-12-79 |
| © BURNDY CORPORATION 1993               |                      |        | CHKD SFP 03-14-79 |
|   |                      |        | DSGN D.L. 3-22-79 |
|   |                      |        | MKT KL 03-22-79   |
|   |                      |        | OC SJ 10-27-94    |
| DRAWING SCALE 2:1                       |                      |        |                   |
| DRAWING NO                              |                      | REV    |                   |
| SE75800                                 |                      | 7      |                   |
| SHEET 4 OF 5                            |                      |        |                   |

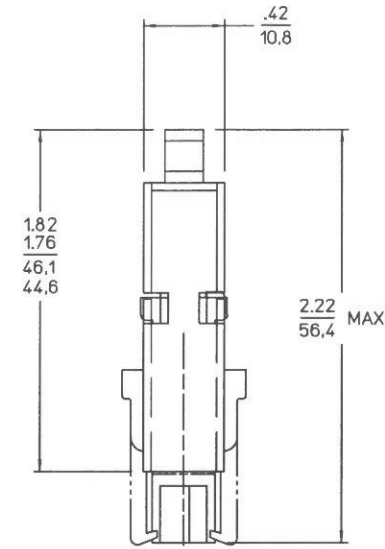
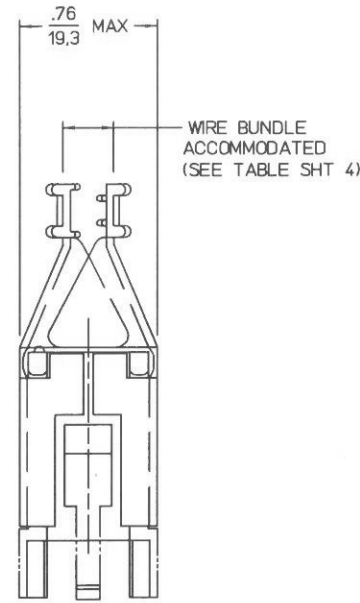




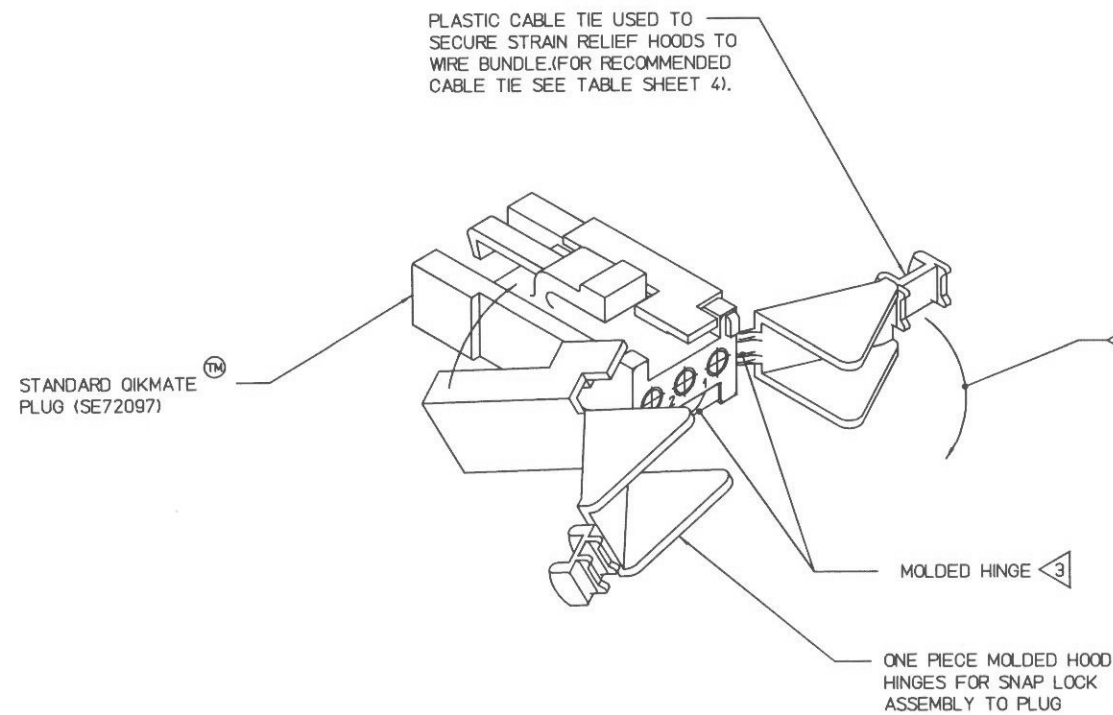
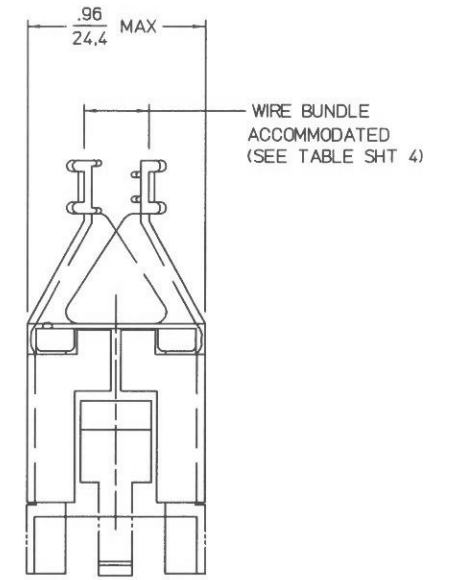
HOOD CAT. NO.  
SMS/SMV2H-1  
(ASSEMBLED TO SMS/SMV2P-1)



HOOD CAT. NO.  
SMS/SMV3H-1  
(ASSEMBLED TO SMS/SMV3P-1)



HOOD CAT. NO.  
SMS/SMV4H-1  
(ASSEMBLED TO SMS/SMV4P-1)



|                                |               |      |           |
|--------------------------------|---------------|------|-----------|
| LINEAR MEASURE:                |               | INCH | INCH [mm] |
|                                |               | mm   |           |
| THIRD ANGLE PROJECTION         |               |      |           |
| - TOLERANCES -                 |               |      |           |
| UNLESS OTHERWISE SPECIFIED     |               |      |           |
| NO OF DECIMAL PLACES IN INCHES | INCH [mm]     |      |           |
| ONE PLACE                      | ±.1 [±3]      |      |           |
| TWO PLACES                     | ±.02 [±0.5]   |      |           |
| THREE PLACES                   | ±.005 [±0.13] |      |           |
| ANGLES ±1°                     |               |      |           |

|   |                      |        |           |
|---|----------------------|--------|-----------|
| ALL REVISIONS SEE SHEET 1               |                      |        |           |
| REV                                     | REVISION DESCRIPTION | BY     | CHKD DATE |
| QIKMATE™ STRAIN RELIEF HOOD             |                      |        |           |
| CAT NO SMS/SMV_H-1_ (SEE TABLE SHEET 4) |                      |        |           |
| DWG RELEASED TO CENTRAL FILE 10-28-94   |                      |        |           |
| CAGE NO 09922                           | ECN 3129             | PC 732 |           |
| © BURNDY CORPORATION 1993               |                      |        |           |
| DRWN                                    | CEB 02-15-79         |        |           |
| CHKD                                    | SFP 03-14-79         |        |           |
| DSGN                                    | D.L. 3-22-79         |        |           |
| MKT                                     | KL 03-22-79          |        |           |
| QC                                      | SJ 10-27-94          |        |           |
| DRAWING SCALE 2:1                       |                      |        |           |
| DRAWING NO                              |                      | REV    |           |
| SE75800                                 |                      | 7      |           |
| SHEET 5 OF 5                            |                      |        |           |

