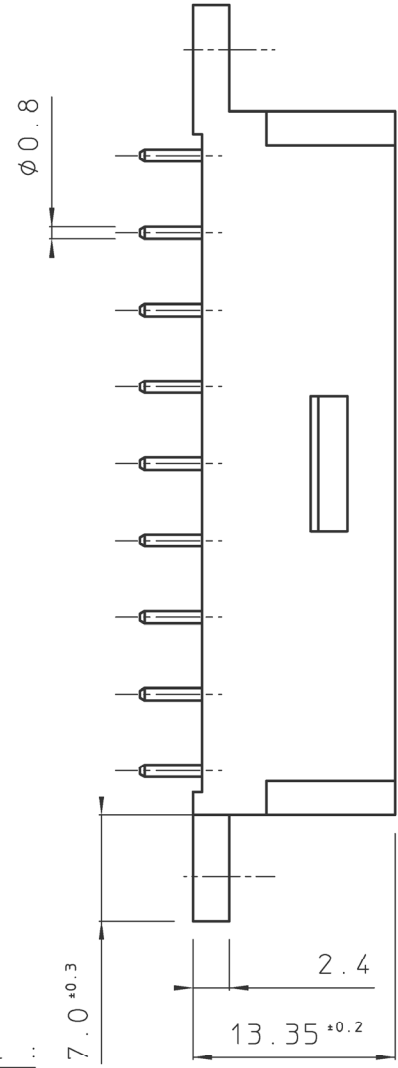
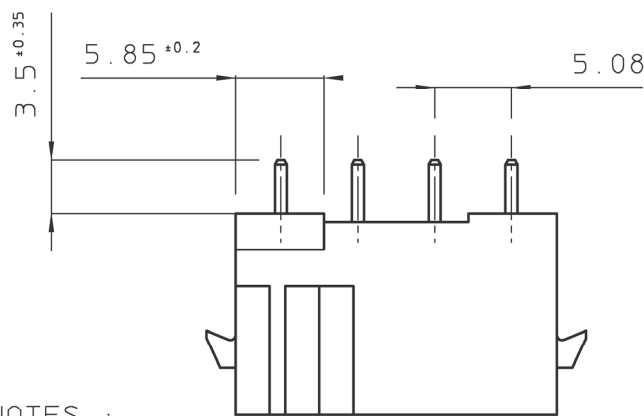
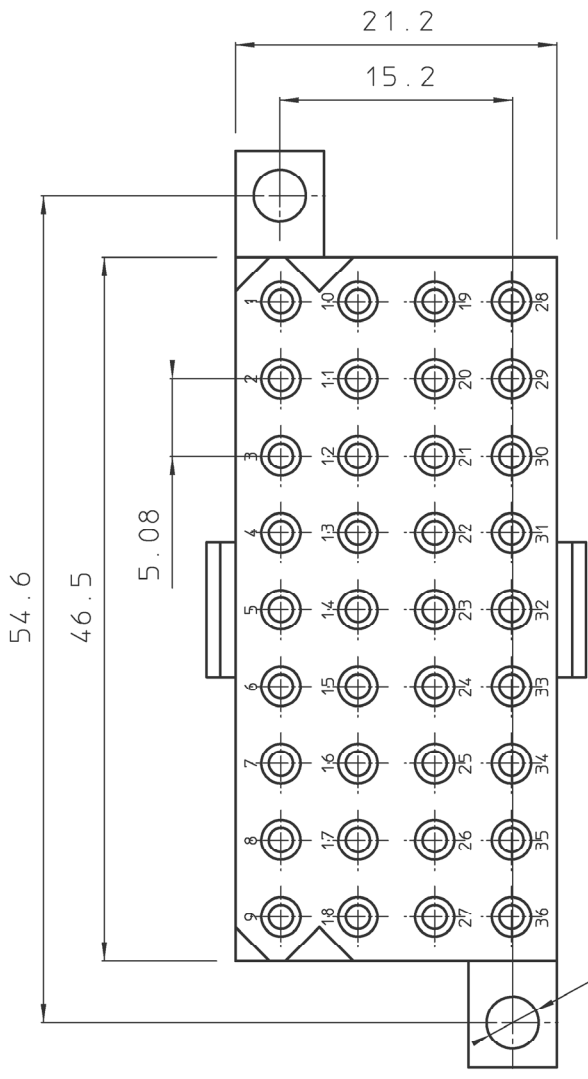


DIT IS ONZE EIGENDOM EN MAG NOCH NAGEMAAKT, HERDRUKT, OVERGEMAAKT AAN DERDEN, NOCH VOOR FABRIKATIE GEBRUIKT WORDEN, ZONDER ONZE SCHRIFTELIJKE TOELATING. BIJ NIET GEBRUIK IS DE TERUGZENDING VERPLICHT.

THIS IS OUR EXCLUSIVE PROPERTY. IT IS NOT TO BE COPIED, REPRINTED OR DISCLOSED TO A THIRD PARTY, NOR USED FOR MANUFACTURING WITHOUT OUR WRITTEN CONSENT, AND HAS TO BE RETURNED TO US IN CASE OF NO USAGE

BS, A , 202362, 007, 00

REV.	DATE	DESCRIPTION	BY	C'K'D'
00	18.08.97	REDRAWN FROM DRAWING BSA 062109 SHEET 7	S.V.D.	



MATERIAL :
 BODY : POLYESTER 30% GLASS FILLED, UL94V-0,
 COLOUR : BLACK
 CONTACTS : CONTACT BODY : BRASS, GOLD OR TIN PLATED.
 INNER SPRING : BERYLLIUM COPPER, GOLD OR NICKEL PLATED.

PERFORMANCE CHARACTERISTICS :
 OPERATING TEMPERATURE : -55°C TO 105°C
 INSULATING RESISTANCE : 5000 MΩ MIN.
 TEST POTENTIAL : 2000 VAC

NOTES :

- CONNECTOR SUPPLIED FULLY LOADED WITH MACHINED SOCKET CONTACTS.
 AU PLATED : SMS36GE3 ; AU FLASH : SMS36GE3J ; TIN PLATED : SMS36GE3T
- MATING PART SMS36P1 PLUG
- PC-BOARD THICKNESS : 2.4 MM
- DRILLING HOLE PATTERN : BS, A, 200597, 008

GEN. ST.	01	02	03	04	05	06	07	08	0D	50	60	70	80	90																	
INT. ST.	10	11	12	13	14	18	20	31	32	33	34	38	39	40	42	43	44	45	46	48	56	70	72	73	75	76	81	82	83	84	88

1DEC ±0,2 1DEC
 2DEC ±0,1 2DEC
 ANGLES ±1° HOEKEN

WE RESERVE THE RIGHT TO CHANGE DIMENSIONS OR REQUIREMENTS WITHOUT PRIOR NOTICE.

ALL DIMENSIONS IN MM
 ALLE AFMETINGEN IN MM

APPR.	DATE	SIGN.
DRAFT	18-08-97	S. Van Dessel
CHECKED		
PROD. MGR.		
PR. ENG. MGR.		
PR. MGT. MGR.		

REFERENCES / REFERENTIES

SMS QIKMATE STRAIGHT FEMALE REC. WITH MACH. CONT.

CAT. No. SMS36GE3*

SOURIAU
 Connection Technology

SOURIAU
 Route Nationale 23
 72470 CHAMPAGNE

SCALE
 2/1

BS, A , 202362, 007, 00
 DRAWING NR. CUSTOMER DRAWING

NOT EXPORT CONTROLLED