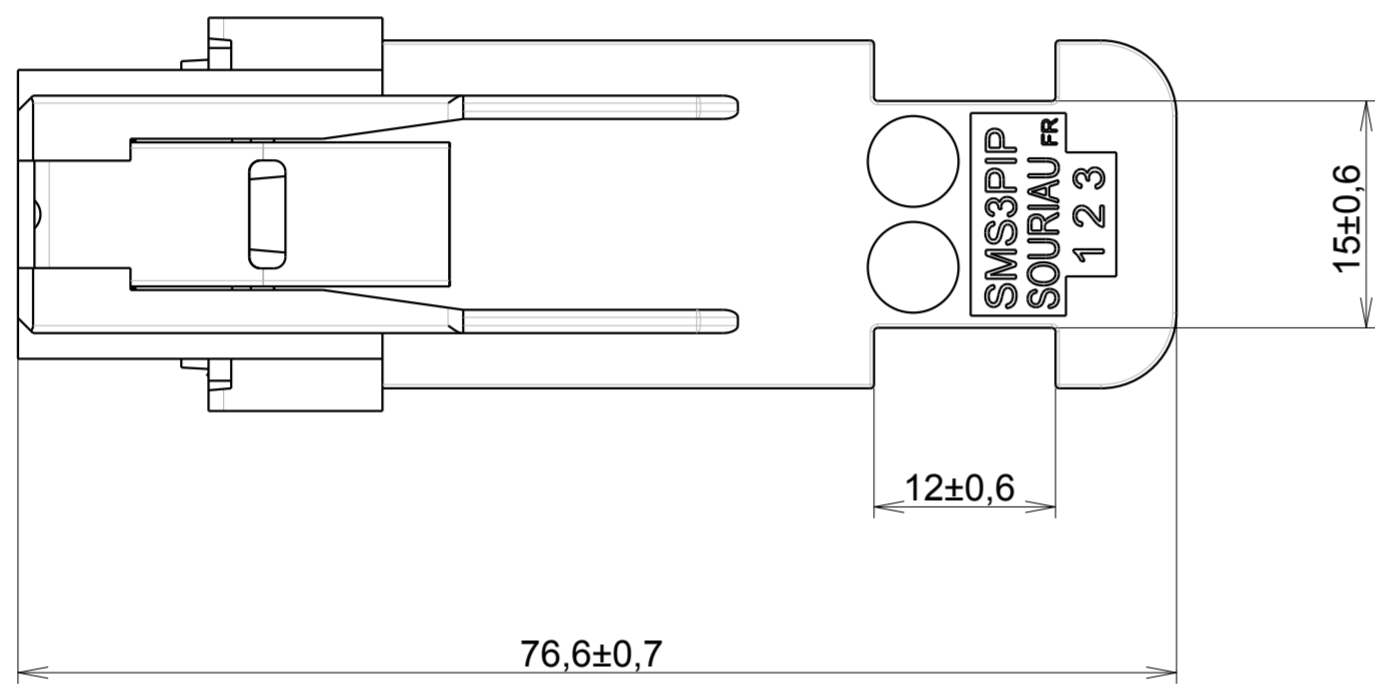
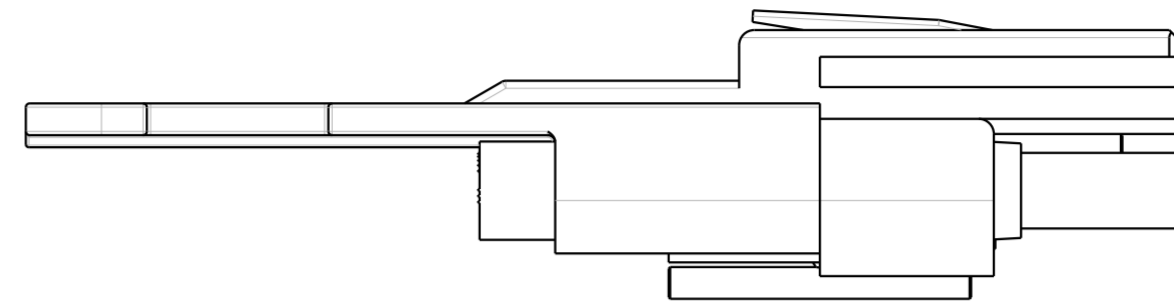
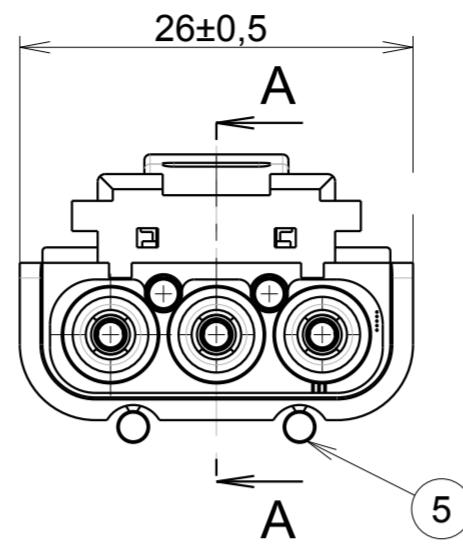
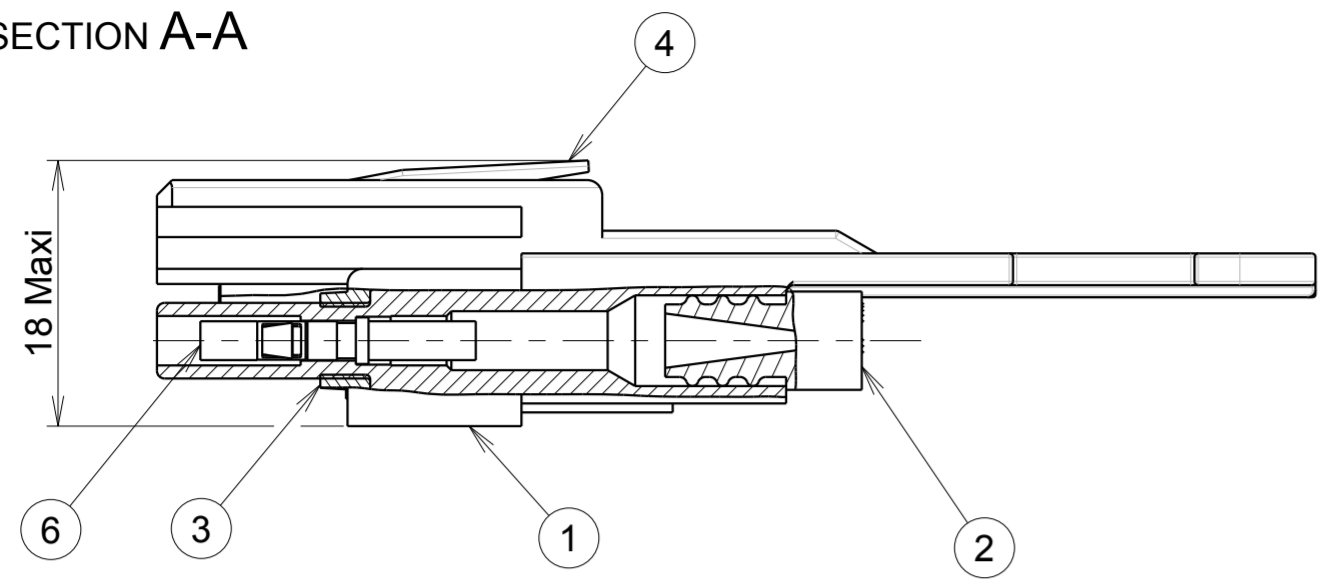
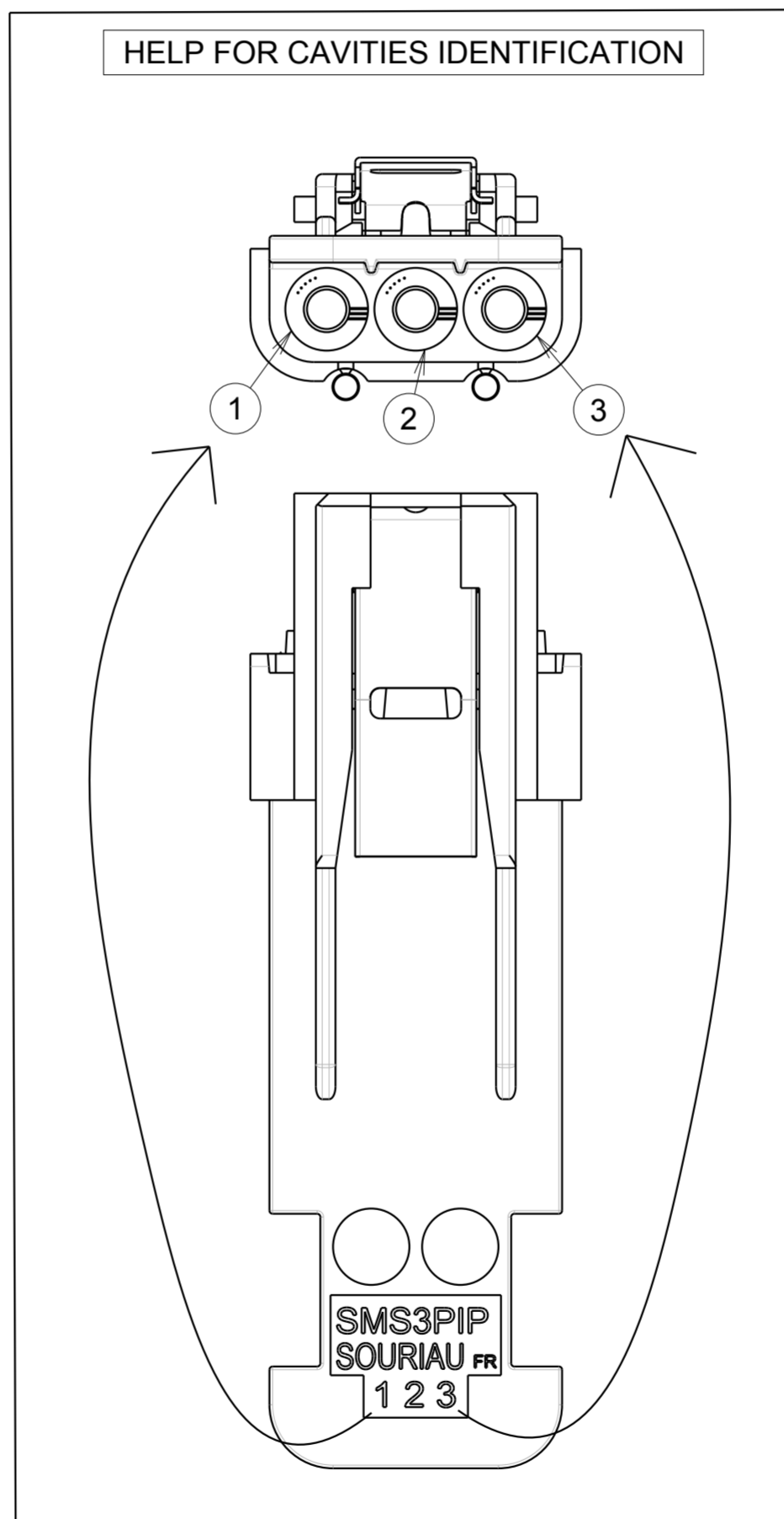


SECTION A-A



REFERENCE	REP	DESIGNATION
RC14M30K*	6	FEMALE CONTACT DIAMETER 1.6 FOR CABLE 2.50 mm ²
RC16M23K*	6	FEMALE CONTACT DIAMETER 1.6 FOR CABLE 0.5 A 1.50 mm ²
N/A	5	FOOLPROOF DEVICE (2 pawl min)
N/A	4	LOCKER
N/A	3	INTERFACE SEAL
N/A	2	INDIVIDUAL GROMMET**
N/A	1	PLUG BODY
REFERENCE	REP	DESIGNATION

HELP FOR CAVITIES IDENTIFICATION



MATERIAL:

- Plug : Thermoplastic
- Interface seal : Silicone
- Individual grommet : Silicone (only on sealed versions)
- Locker : Stainless steel
- Foolproof device : thermoplastic.

CHARACTERISTICS:

- Câbles éligibles :
 Ø max of shaft 3.8mm
 Ø min of shaft 1.15mm
- Diameter of male contact : Ø 1.6mm
- Contact resistance: 3250V AC
- Eligible current : 15A max.
- Insulation strength : > 5000M Ω
- Temperature of use : -50°C/+100°C
- Degrees of protection :
 IP 67 only for sealed versions .
- Corrosion resistance : 500H salt fog, Coupling connector.
- Number of keying: 2+1 universal position
- Number of cycles : 500 cycles.

For all assembly information, see Technical Bulletin : BT 267.

* contacts soldered separately

**Connector Reference :
 Sealed Version : SMS3PIP67
 No sealed Version : SMS3PIP20

P/N : SMS3PIP**

d	21/05/14	Add help cavities and translate drawing in english		23552
ISS	DATE	Latest modification - by: BERTHOME A.		MOD N°
Designed by: <i>SORIN V.</i>		Date: 28/09/11	CUSTOMER DRAWING	
TITLE		RECTANGULAR PLUG SMS IP SMS IP 3 POINTS		
Scale	2/1	General linear Tolerances: ± 0.2	NPRDS / PROJECT	
SOURIAU		WWW.SOURIAU.COM		This document is the property of SOURIAU. It must not be reproduced or communicated without permission
FORMAT	A2	SOURIAU DRG N° REC1-0007A-C		SHEET 1/1