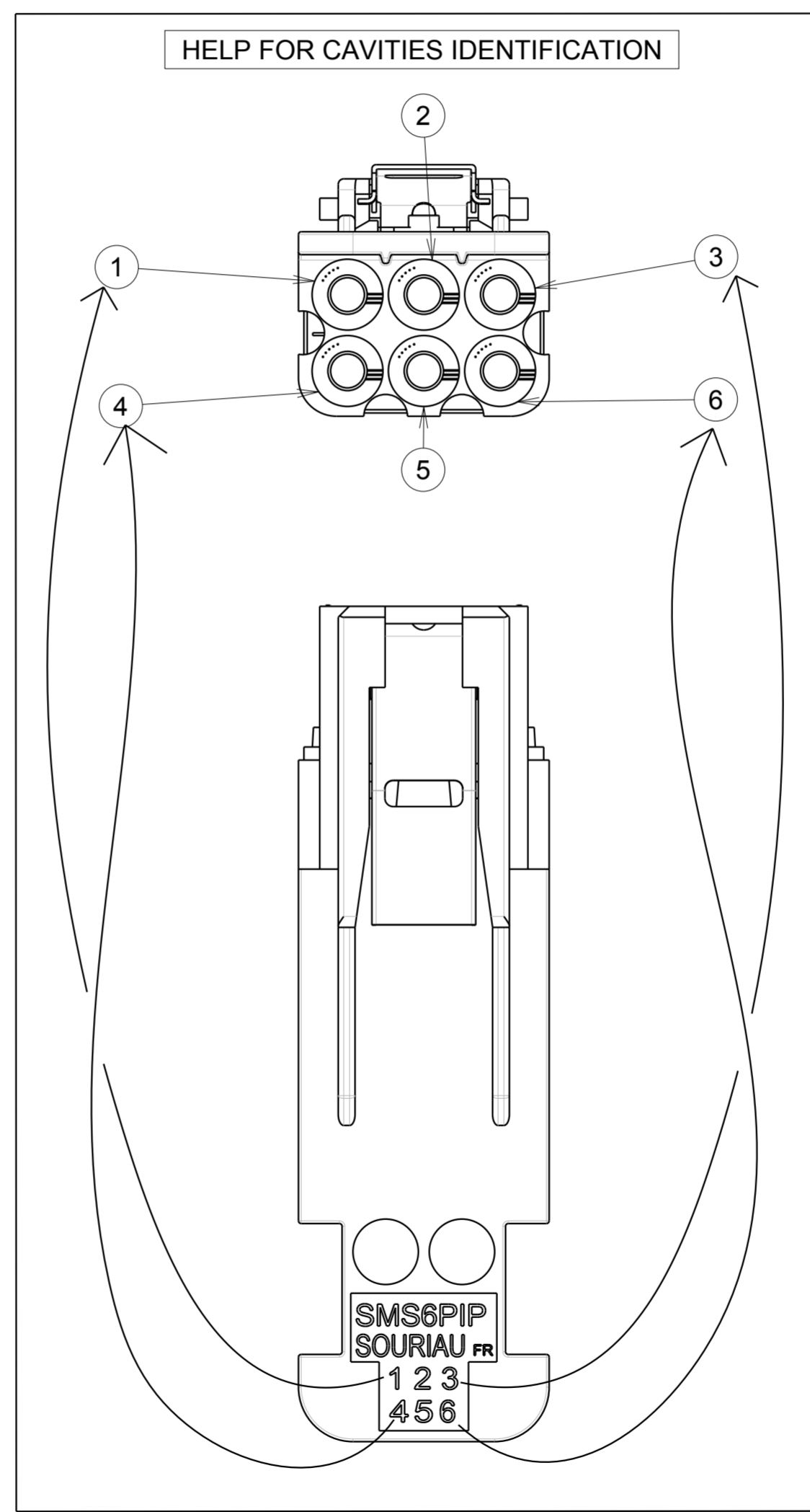
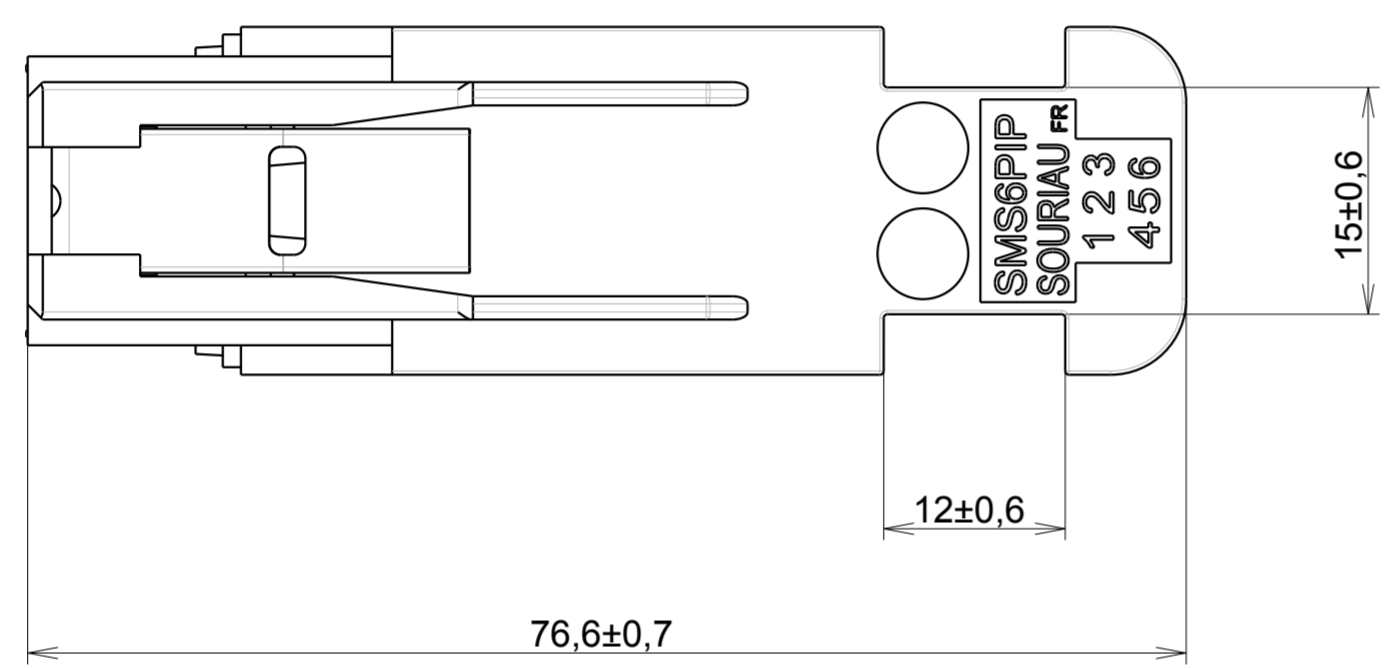
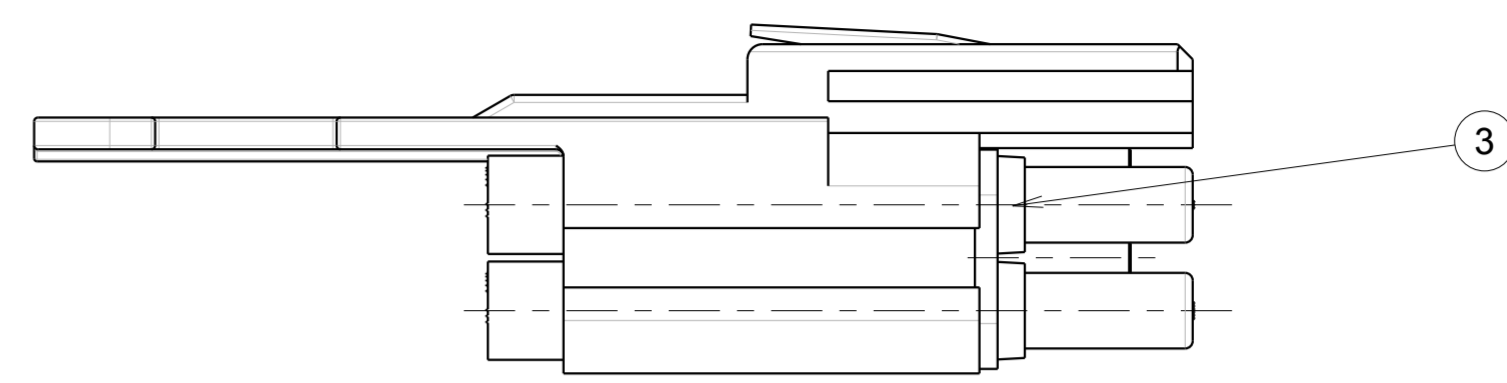
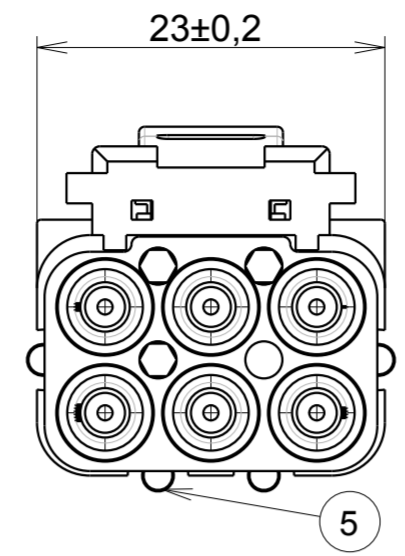
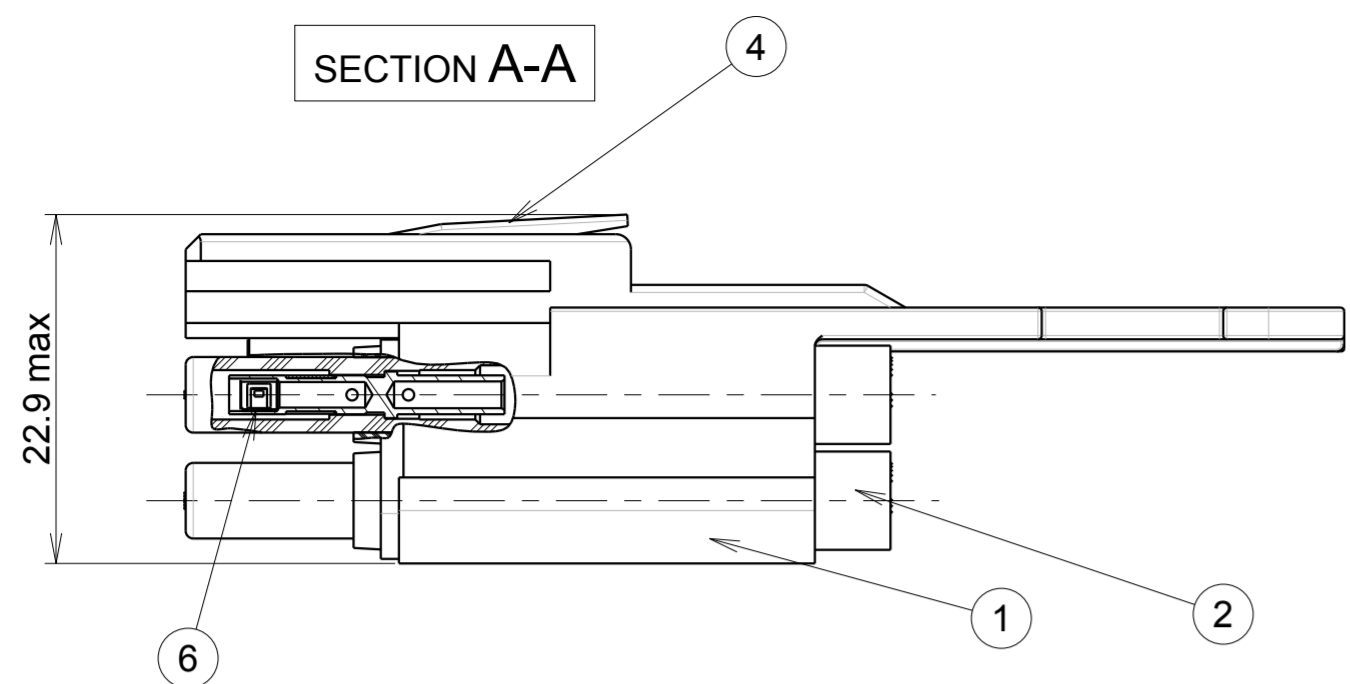


f:1:RL



MATERIAL:

- Plug : Thermoplastic
- Interface seal : Silicone
- Individual grommet : Silicone (only on sealed versions)
- Locker : Stainless steel
- Foolproof device : thermoplastic.

CHARACTERISTICS:

- Câbles éligibles :
 Ø max of shaft 3.8mm
 Ø min of shaft 1.15mm
- Diameter of male contact : Ø 1.6mm
- Contact resistance: 3250V AC
- Eligible current : 15A max.
- Insulation strenght : > 5000M Ω
- Temperature of use : -50°C/+100°C
- Degrees of protection :
 IP 67 only for sealed versions .
- Corrosion resistance : 500H salt fog,
 Coupling connector.
- Number of keying: 3+1 universal position
- Number of cycles : 500 cycles.

For all assembly information,
 see Technical Bulletin : BT 267.

* contacts soldered separately

**Connector Reference :
 Sealed Version : SMS6PIP67
 No sealed Version : SMS6PIP20

P/N : SMS6PIP**

RC14M30K*	6	CONTACT FEMELLE DIAMETRE 1.6 POUR CABLE 2.50 mm ²
RC16M23K*	6	CONTACT FEMELLE DIAMETRE 1.6 POUR CABLE 0.5 A 1.50 mm ²
N/A	5	FOOLPROOF DEVICE (2 pawm min)
N/A	4	LOCKER
N/A	3	INTERFACE SEAL
N/A	2	INDIVIDUAL GROMMET**
N/A	1	PLUG BODY
REFERENCE	REP	DESIGNATION

f	20/05/14	ADD Cavities identification and translate drawing in english	23552
ISS	DATE	Latest modification - by: BERTHOME A.	MOD N°
Designed by:	Chabirand R.	Date: 04/10/10	CUSTOMER DRAWING
TITLE	RECTANGULAR PLUG SMS IP SMSIP 6PTS		
Scale	2/1	General linear Tolerances: ±0.2	NPRDS / PROJECT IC101006A
SOURIAU		WWW.SOURIAU.COM	This document is the property of SOURIAU It must not be reproduced or communicated without permission
FORMAT	A2	SOURIAU DRG N° REC1-0002A-C	SHEET 1/1

NOT EXPORT CONTROLLED