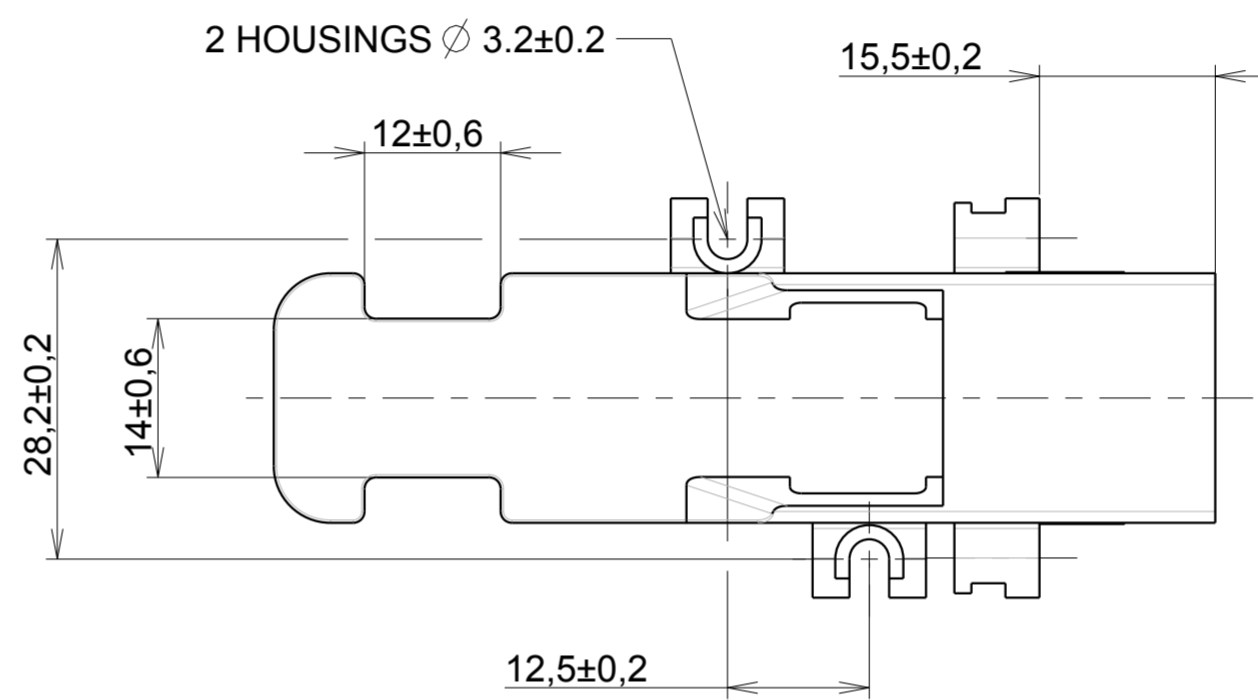


RM14M30K *	4	MALE CONTACT DIAMETER 1.6 FOR CABLE 2.50 mm ²
RM16M23K *	4	MALE CONTACT DIAMETER 1.6 FOR CABLE 0.5 A 1.50 mm ²
N/A	3	FOOLPROOF DEVICE (1 pawn min)
N/A	2	INDIVIDUAL GROMMET **
N/A	1	RECEPTACLE BODY
REFERENCE	REPERE	DESIGNATION



MATERIAL:

- Receptacle : Thermoplastic
- Individual grommet : Silicone (only on sealed versions)
- Foolproof device : thermoplastic.

CHARACTERISTICS:

- Câbles éligibles : Ø max of shaft 3.8mm, Ø min of shaft 1.15mm
- Diameter of male contact : Ø 1.6mm
- Contact resistance: 3250V AC
- Eligible current : 15A max.
- Insulation strenght : > 5000MΩ
- Temperature of use : -50°C/+100°C
- Degrees of protection : IP 67 only for sealed versions .
- Corrosion resistance : 500H salt fog, Coupling connector.
- Number of keying: 3+1 universal position
- Number of cycles : 500 cycles.

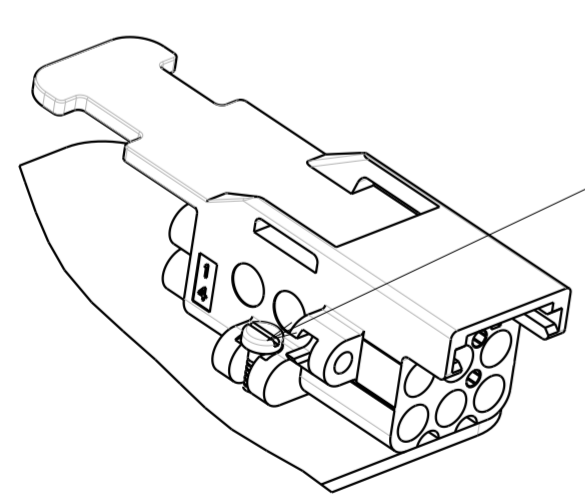
For all assembly information, see Technical Bulletin : BT 267.

* contacts solded separately

**Connector Reference :
Sealed Version : SMS6RIP67
No sealed Version : SMS6RIP20

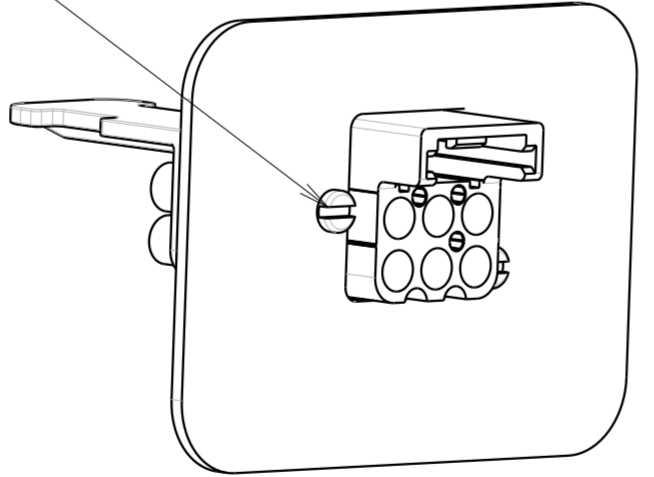
P/N : SMS6RIP**

2 TYPES OF BOLTED JOINT ASSEMBLY

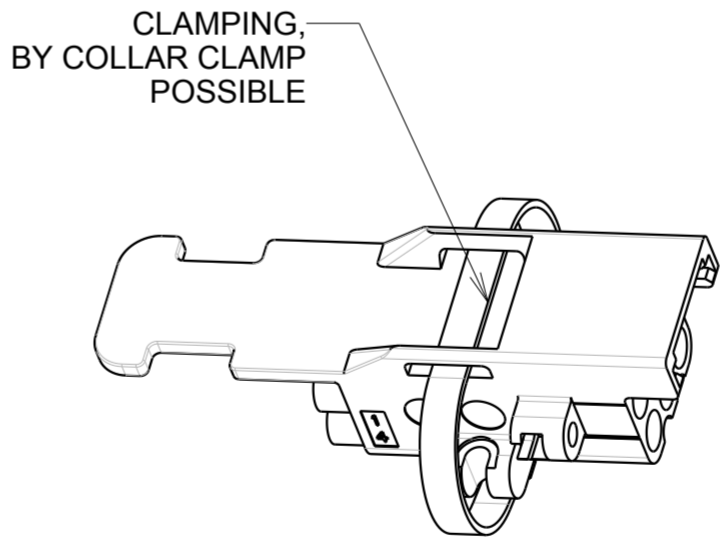


MOUNTING EVEN ON WALL

SCALE 1/1



MOUNTING ACCROSS WALL



CLAMPING, BY COLLAR CLAMP POSSIBLE

SCALE 1/1

f	20/05/14	Add sheet 2 for cavities and translate drawing in english		23552
ISS	DATE	Latest modification - by: BERTHOME A.		MOD N°
Designed by: Chabirand R.		Date: 04/10/10	CUSTOMER DRAWING	
TITLE		RECTANGULAR RECEPTACLE SMS IP SMSIP 6PTS		
Scale	3/2	General linear Tolerances: ±0.2	NPRDS / PROJECT IC101006A	
SOURIAU		WWW.SOURIAU.COM		This document is the property of SOURIAU. It must not be reproduced or communicated without permission
FORMAT	A2	SOURIAU DRG N° REC1-0001A-C		SHEET 1/2

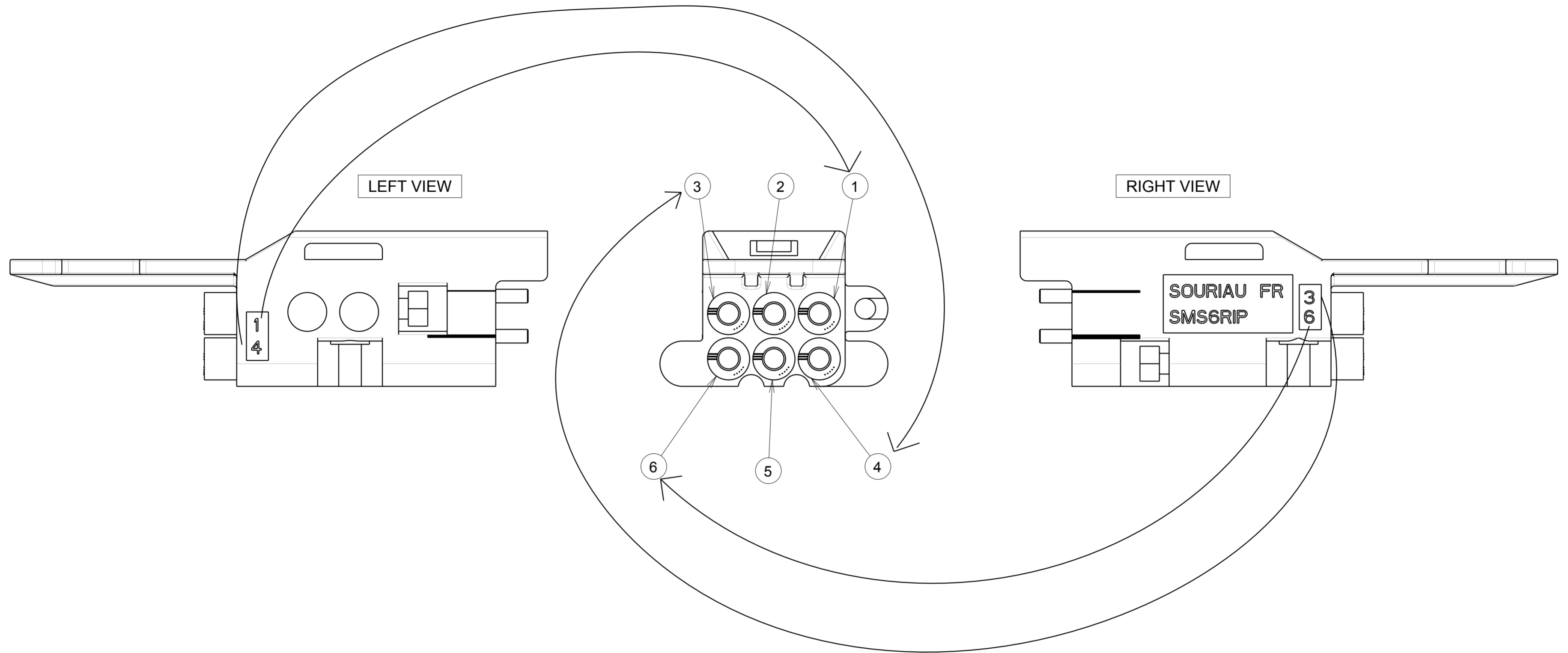
f:1:RL

HELP FOR CAVITIES IDENTIFICATION

REAR VIEW

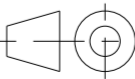
LEFT VIEW

RIGHT VIEW



SOURIAU FR
SMS6RIP

P/N : SMS6RIP**

f	20/05/14	Add sheet 2 for cavities and translate drawing in english		23552
ISS	DATE	Latest modification - by: BERTHOME A.		MOD N°
Designed by: Chabirand R.		Date: 20/05/14	CUSTOMER DRAWING	
TITLE		RECTANGULAR RECEPTACLE SMS IP SMSIP 6PTS		
Scale	2/1		General linear Tolerances: ± 0.2	NPRDS / PROJECT IC101006A
SOURIAU		WWW.SOURIAU.COM		This document is the property of SOURIAU It must not be reproduced or communicated without permission
FORMAT	SOURIAU DRG N° REC1-0001A-C			SHEET 2 / 2

NOT EXPORT CONTROLLED