

C.3: Validé

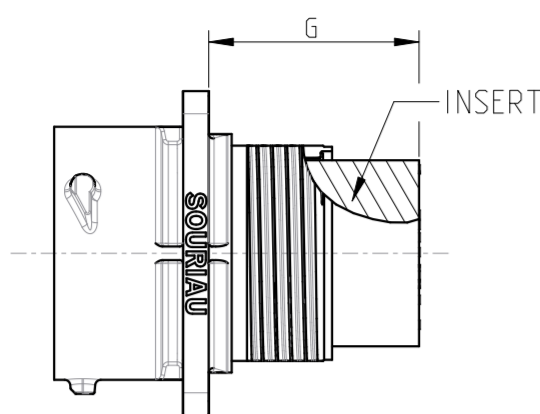
SIDE VIEW FOR EACH VERSION

COMMON QUOTES FOR ALL VERSION

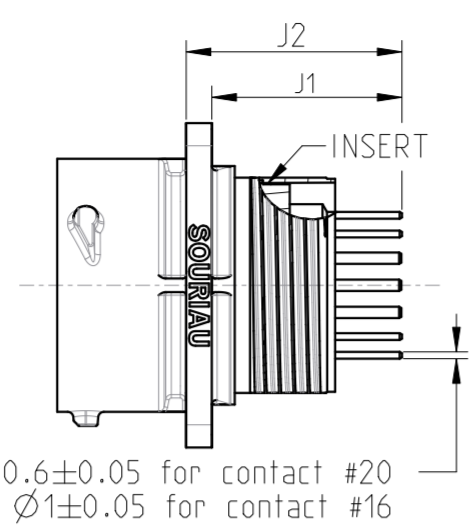
MATERIAL :

- SHELL : PA UL94 V0, UL746C F1 Black color
- INSERT (UTSX0-----) : PA UL94 V0, UL746C F1 Black color
- INSERT (UTSX0--D/E---) : Polychloroprene UL94 HB
- CONTACTS: brass + coated depending on P/N

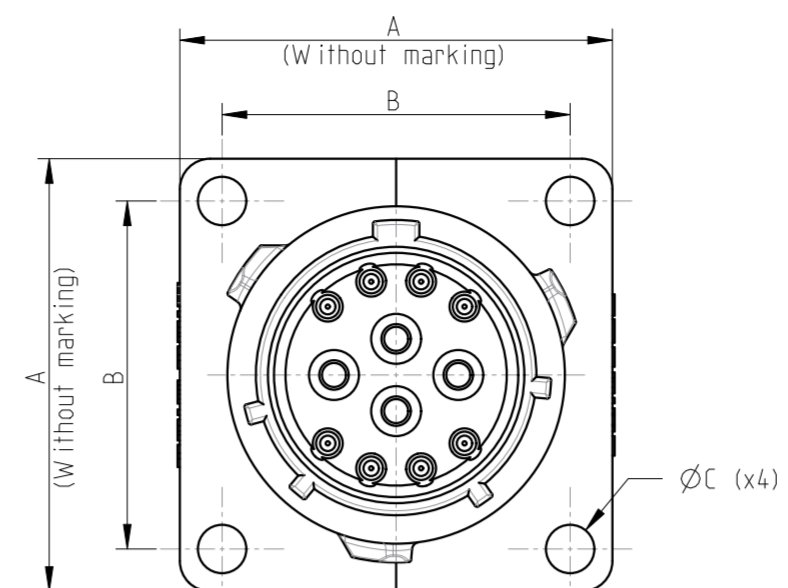
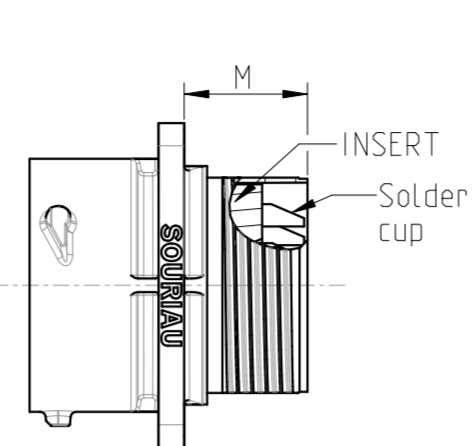
UTSX0-----P



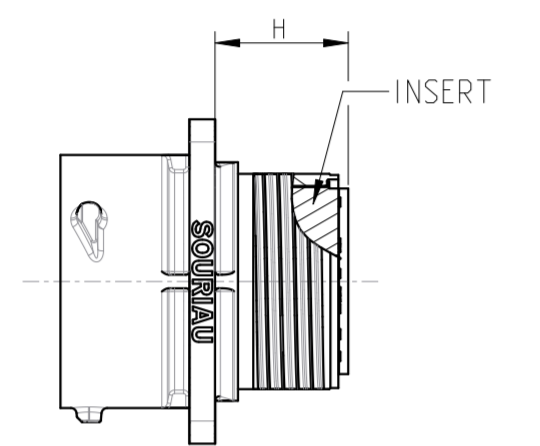
UTSX0--D---



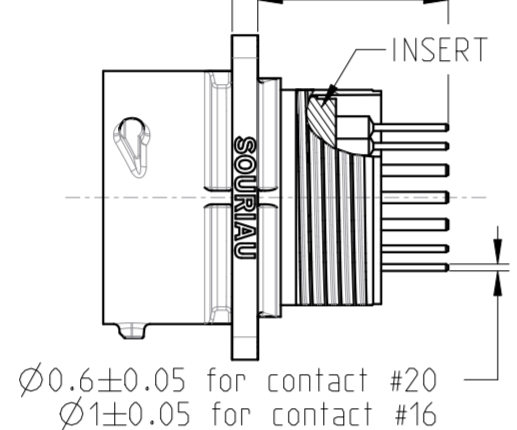
UTSX0--E---



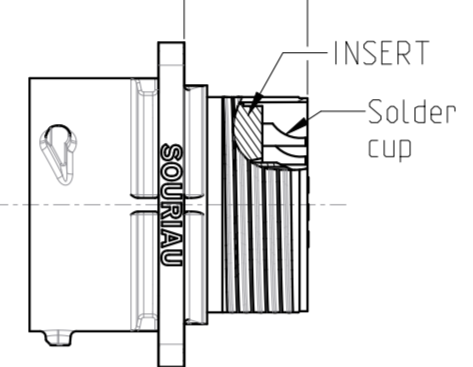
UTSX0-----S



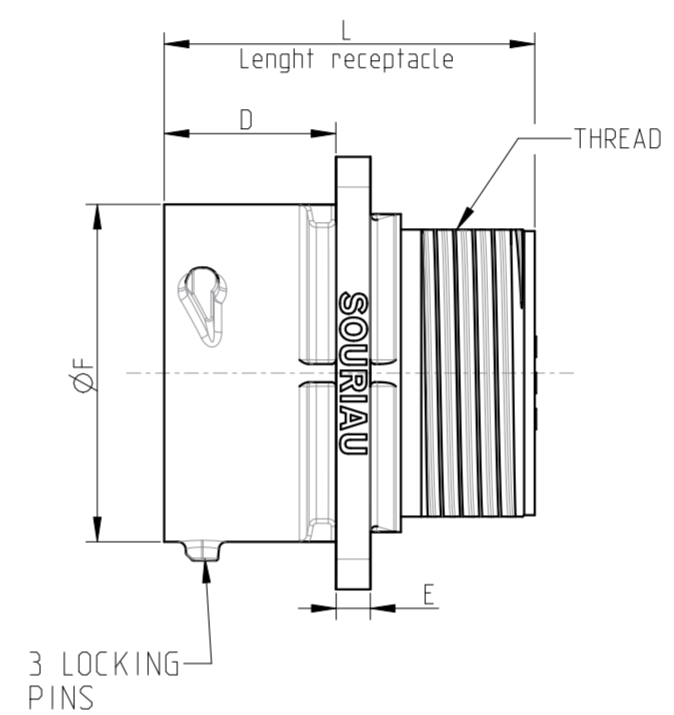
UTSX0--D---



UTSX0--E---



SHELL RECEPTACLE



SCALE 2/1

PERFORMANCE CHARACTERISTICS :

Operating temperature: -40°C up to 105°C
 Insulation resistance: 5000 MΩmin under 500V
 Corrosion salt spray: 500 hours
 Durability: 250 matings and unmatings
 Sealing conditions: SEE TABLE

NOTA:

- 1- Contact to be ordered separately for version UTSX0----- : refer to corresponding catalogue.
- 2- Insert arrangement refer to:
 UTX_LAYOUT (Standard Version)
 UTX-HS_LAYOUT (HiSeal Version)
- 3- Gasket to be ordered separately for version UTSX0----- : refer to corresponding catalogue.
- 4- In rear mount : Color coding ring is impossible

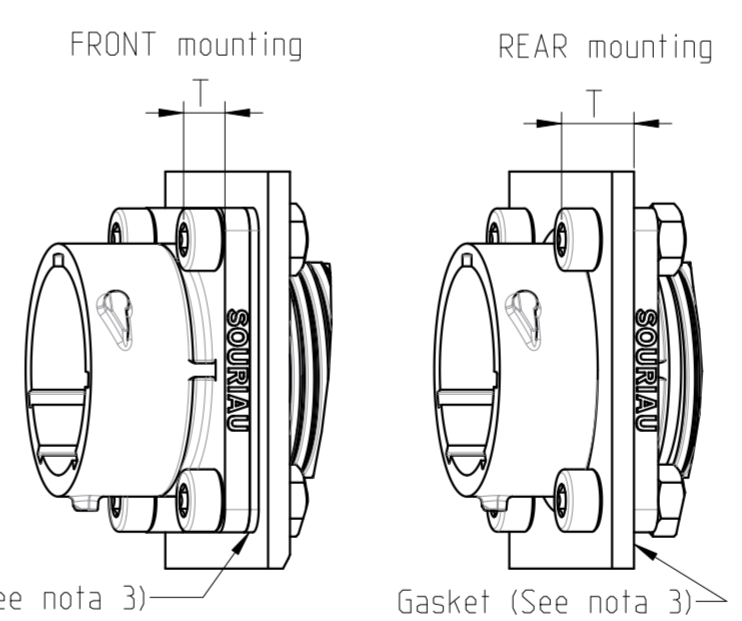
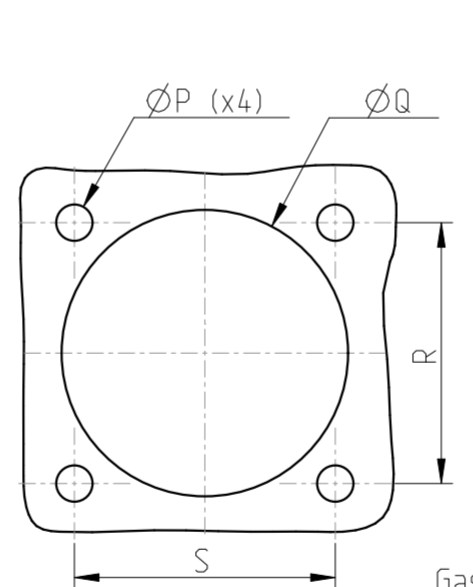
SEALING CONDITIONS

Sealing in MATED conditions with COUNTERPART:
 -IP6x : No ingress of dust
 -IPx8 1 bar during 1 week: immersion under 10 m of water.
 -IPx9K : exposure to high pressure water of cleaning equipment (IEC 60529)

Sealing in MATED conditions with COUNTERPART and UNMATED conditions:
 -IP6x : No ingress of dust
 -IPx8 1 bar during 1 week: immersion under 10 m of water.
 -IPx9K : exposure to high pressure water of cleaning equipment (IEC 60529)

PANEL CUT OUT DEFINITION

SHELL SIZE	PANEL CUT OUT DEFINITION				REAR mounting (See nota 4)		FRONT mounting	
	±0.1	REAR mounting	FRONT mounting	±0.15		Screw head thickness + panel thickness	Screw head thickness	
	ØP	±0.1	±0.1	R	S	MAX	T	
10	3.2	17.9	15.2	18.3	18.3	2.8		
12		22.3	18.3	20.6	20.6			
14		25.1	21.5	23.0	23.0			
16		27.8	24.6	24.6	24.6			
18		31	27.8	27	27			



Country	Jurisdiction & Control List
FR	NOT LISTED

SOURIAU shall not be liable for any non-conformity or damage due to a use of the Products which does not comply with the Specifications issued by either of the Parties or by a third party (Professional recommendation, technical notice.)

P/N : CROSS REF TABLE	
BASIC SERIES	UTSX 0 14 D 19 P -
SHELL TYPE	0 Square flange receptacle
SHELL SIZE	10 12 14
TYPE OF LAYOUT	Standard layout (No digit) D : HISEAL Dispolder contacts E : HISEAL Handsolder contacts
INSERT ARRANGEMENT	See NOTA 2
ORIENTATIONS	Normal (no digit) W.X.Y.Z
TYPE OF CONTACTS	P: MALE S: FEMALE

SHELL SIZE	±0.4	±0.2	±0.1	±0.2	±0.2	±0.2	MAX	MIN / MAX				MAX	THREAD CLASS 2A			
	A	B	ØC	D	E	ØF	G	H	J1	J2	K1	K2		L	M	N
10	23.8	18.26	3.2	11.35	2.3	15.2	22.5	18.8	15.8 / 17.7 *	18.1 / 20 *	15.8 / 17.7 *	18.1 / 20 *	32.3	11.5	11.5	9/16-24 UNEF
12	26.2	20.62				19.15										11/16-24 UNEF
14	28.6	23.01				22.31										13/16-20 UNEF
16	31	24.61				25.56										15/16-20 UNEF
18	33.3	26.97				28.74										1"1/16-18 UNEF

* -1mm FOR LAYOUT 12D14

C	02/06/2023	- Modification of the dimensions G (19.5 => 22.5) & H (12.1 => 18.8) - Size 16 & 18 added	26163P
ISS	DATE	Latest modification - by: Q.LECOMTE	MOD N°
Designed by: J.GAMBIER		Date: 1 06/07/2020	CUSTOMER DRAWING
TITLE		SQUARE FLANGE RECEPTACLE TO - SIZE 10 12 14 - Standard and Hiseal version UTSX CONNECTOR	
Scale	1/1	Dimensions in mm General Linear Tolerances: ± 0.2	NPRDS / PROJECT GGB
FORMAT		SOURIAU DRG N° UTSX-0001A-C	
A2		SHEET 1 / 1	



www.souriau.com

This document is the property of SOURIAU. It must not be reproduced or communicated without permission.