

C.3: Validé

SIDE VIEW FOR EACH VERSION

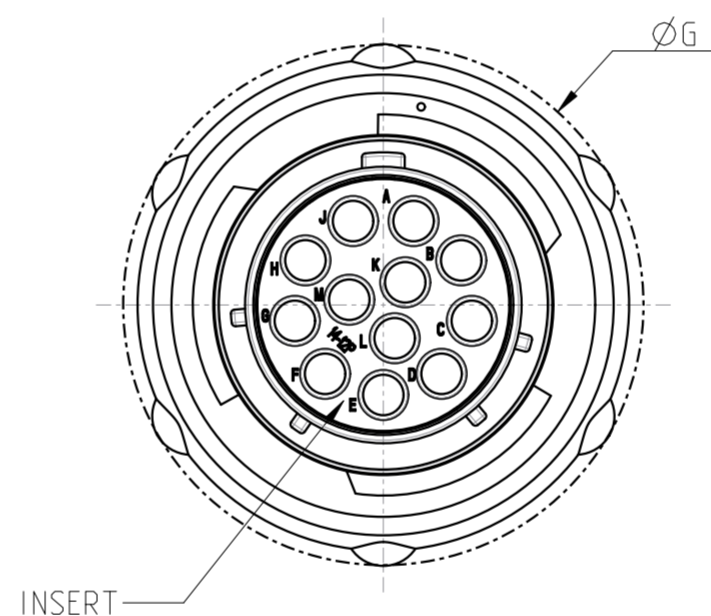
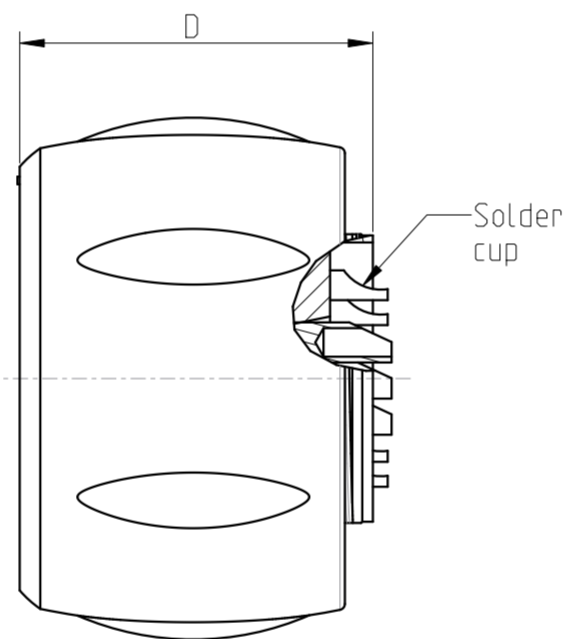
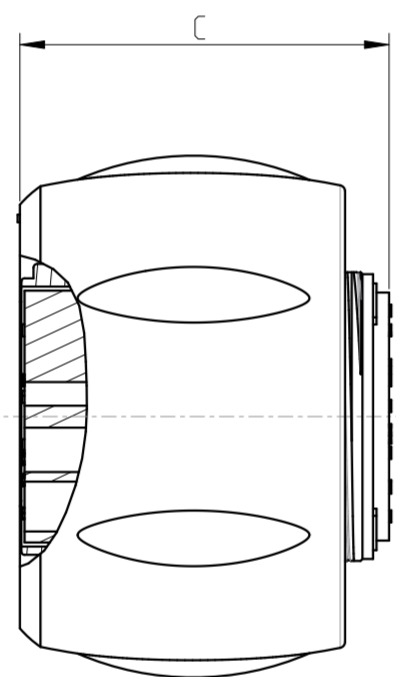
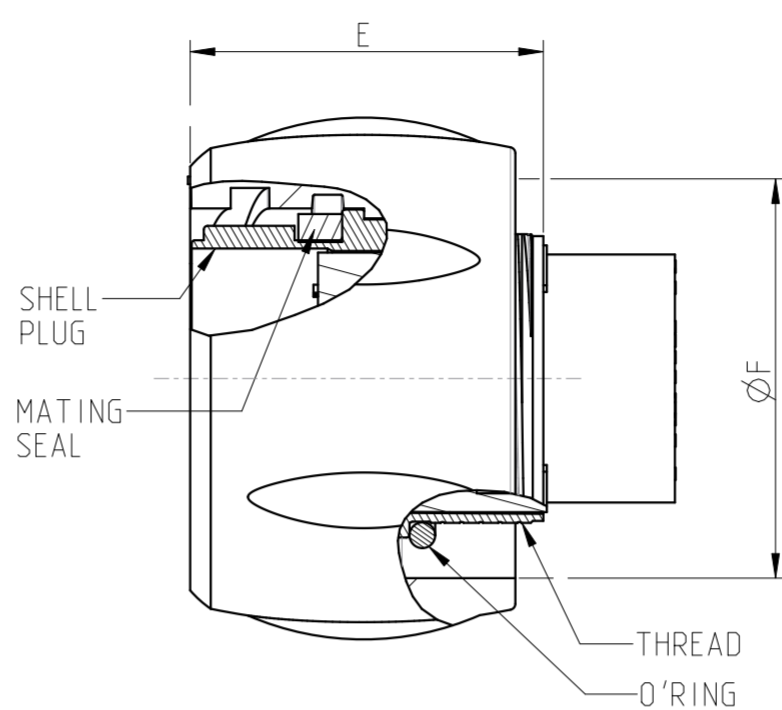
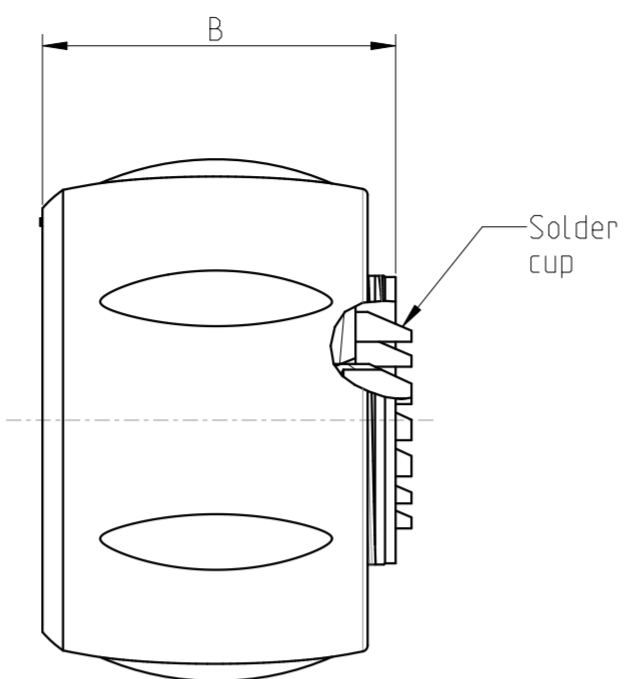
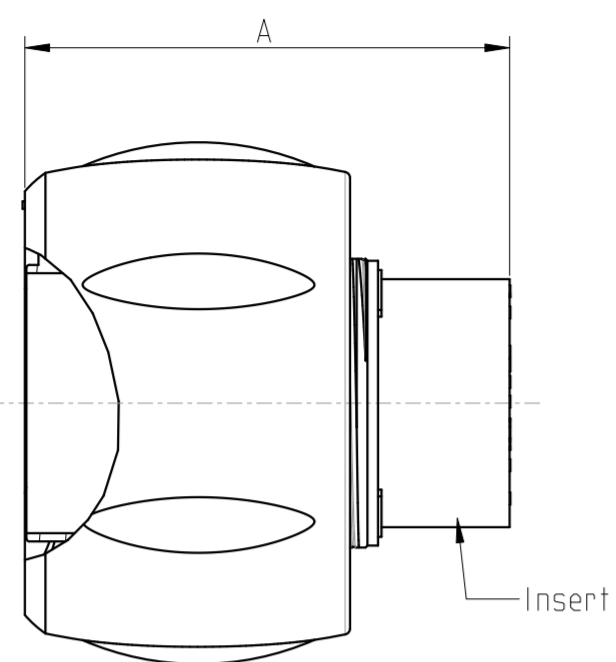
COMMON QUOTES FOR ALL VERSION

UTSX6-----

UTSX6--E---

UTSX6-----P

UTSX6-----S



MATERIAL :

- SHELL : PA UL94 V0, UL746C F1 Black color
- COUPLING RING: PA UL94 V0, UL746C F1 Black color
- INSERT (UTSX0-----) : PA UL94 V0, UL746C F1
- INSERT (UTSX0--E---) : Polychloroprene UL94 HB
- O'RING : NITRIL
- MATING SEAL : SILICON
- CONTACTS: brass + coated depending on P/N

PERFORMANCE CHARACTERISTICS :

Operating temperature: -40°C up to 105°C
 Insulation resistance: 5000 MΩmin under 500V
 Corrosion salt spray: 500 hours
 Durability: 250 matings and unmatings

Sealing conditions: SEE TABLE

NOTA:

- 1- Contact to be ordered separately for version UTSX0----- : refer to corresponding catalogue.
- 2- Insert arrangement refer to:

UTX_LAYOUT (Standard Version)
 UTX-HS_LAYOUT (HiSeal Version)

Country	Jurisdiction & Control List
FR	NOT LISTED

SOURIAU shall not be liable for any non-conformity or damage due to a use of the Products which does not comply with the Specifications issued by either of the Parties or by a third party (professional recommendation, technical notice.)

P/N : CROSS REF TABLE

BASIC SERIES	UTSX 6 14 E 19 P -	* P/N for example	
SHELL TYPE	6 Plug		
SHELL SIZE	10 12 14		
TYPE OF LAYOUT	Standard layout (No digit) E : HISEAL Handsolder contacts		
INSERT ARRANGEMENT	See NOTA 2	ORIENTATIONS	Normal (no digit) W.X.Y.Z
		TYPE OF CONTACTS	P: MALE S: FEMALE

SEALING CONDITIONS

Sealing in MATED conditions with COUNTERPART:
 -IP6x : No ingress of dust
 -IPx8 1 bar during 1 week: immersion under 10 m of water.
 -IPx9K : exposure to high pressure water of cleaning equipment (IEC 60529)

Sealing in MATED conditions with COUNTERPART and UNMATED conditions:
 -IP6x : No ingress of dust
 -IPx8 1 bar during 1 week: immersion under 10 m of water.
 -IPx9K : exposure to high pressure water of cleaning equipment (IEC 60529)

SHELL SIZE	MAX				min	±0.2	MAX	THREAD CLASS 2A
	A	B	C	D	E	ØF	ØG	
10						20.3	26.2	9/16-24 UNEF
12						23.5	29.7	11/16-24 UNEF
14	33.3	24	32	24	23.5	26.7	34.6	13/16-20 UNEF
16						29.6	38	15/16-20 UNEF
18						33.5	42	1"1/16-18 UNEF

C	02/06/2023	- Modification of the dimension C (25.5 => 32) - Size 16 & 18 added	26163P
ISS	DATE	Latest modification - by:	Q.LECOMTE
Designed by:		J.GAMBIER	Date: 1 20/07/2020

CUSTOMER DRAWING
 TITLE: PLUG T6 WITHOUT BACKSHELL - SIZE 10 12 & 14, Standard and Hiseal version
 CONNECTEUR UTSX

Scale: 2/1
 Dimensions in mm: General Linear Tolerances: ± 0.2
 NPRDS / PROJECT: GBB

FATON Powering Business Worldwide
 www.souriau.com
 This document is the property of SOURIAU. It must not be reproduced or communicated without permission.

FORMAT: A2
 SOURIAU DRG N°: UTSX-0004A-C
 SHEET: 1 / 1